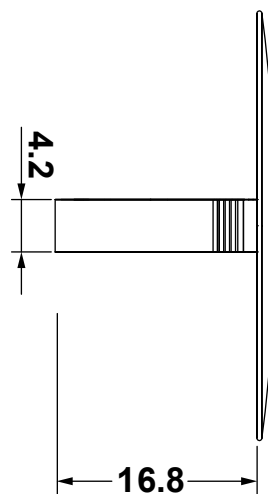
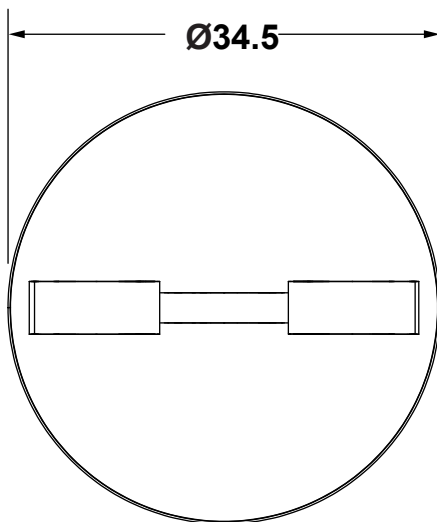
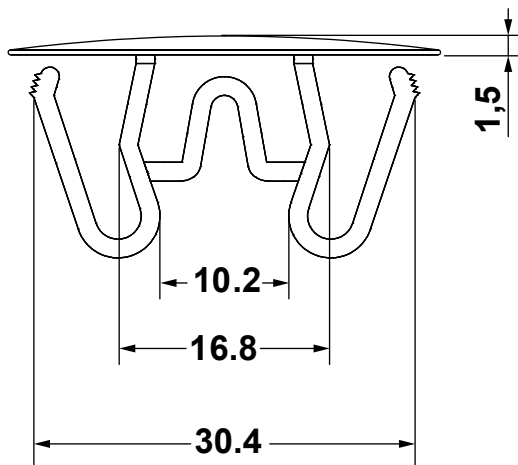



DIM.	TOL.
5mm DOWN	±0.2
5~20mm	±0.3
20~40mm	±0.4
40~60mm	±0.5
60~100mm	±0.8
100mm UP	±1.0

REVISIONS			
REV	DESCRIPTION	DATE	BY



MOUNTING HOLE: Ø22,0 - 30,0
THICKNESS: 0,8 - 2,0

				TITLE PLUGS FOR VARIABLE SIZE HOLES	
				MATERIAL POM HB(UL94)	DATE 08/05/2024
PART NUMBER 3586AA01		DRAWING NUMBER 24.05.08.3586.E		COLOR BLACK	DRAWN A.C.
SIZE A4	SCALE NTS	UNIT mm.	REV A	UNLESS OTHERWISE SPECIFIED TOLERANCE SEE ABOVE	CHECK APPROVED