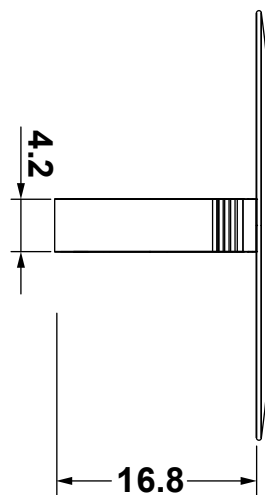
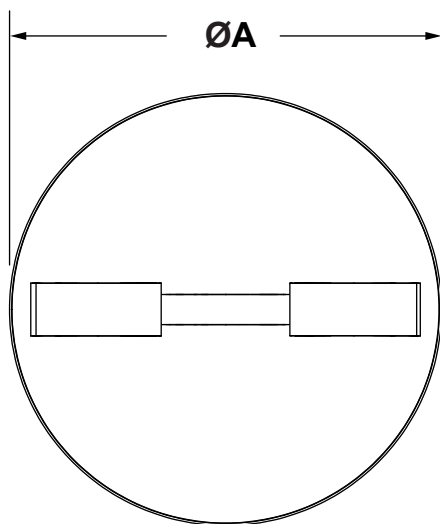
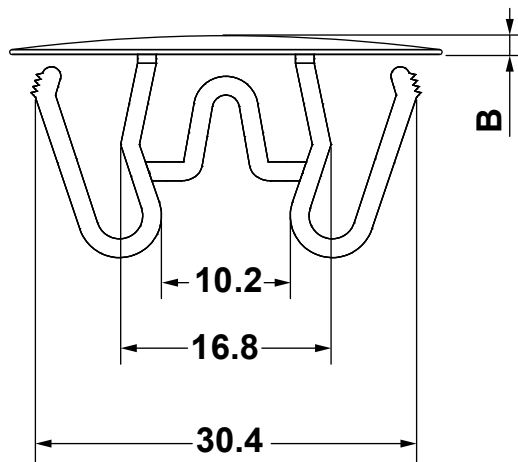


DIM.	TOL.
5mm DOWN	±0.2
5~20mm	±0.3
20~40mm	±0.4
40~60mm	±0.5
60~100mm	±0.8
100mm UP	±1.0

REVISIONS			
REV	DESCRIPTION	DATE	BY



P/N	A	Ø HOLE
3585AA01	25,0	15,0 - 21,5

PANEL THICKNESS: 0,8 - 2,0



TITLE **PLUGS FOR VARIABLE SIZE HOLES**

MATERIAL POM HB(UL94)	DATE 7/09/2022
COLOR BLACK	DRAWN A.C.
UNLESS OTHERWISE SPECIFIED TOLERANCE SEE ABOVE	CHECK APPROVED

PART NUMBER 3585AA01	DRAWING NUMBER 22.09.7.3585.0.E
SIZE A4	SCALE NTS
UNIT mm.	REV A