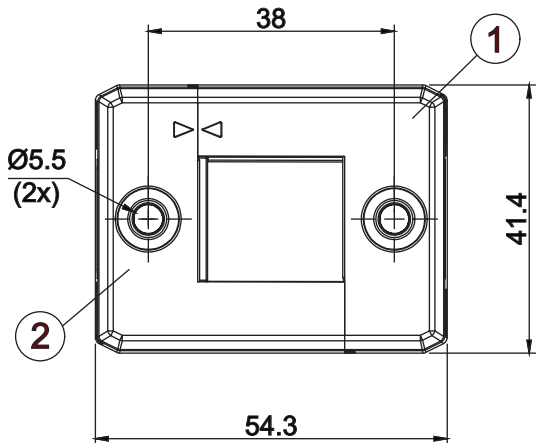
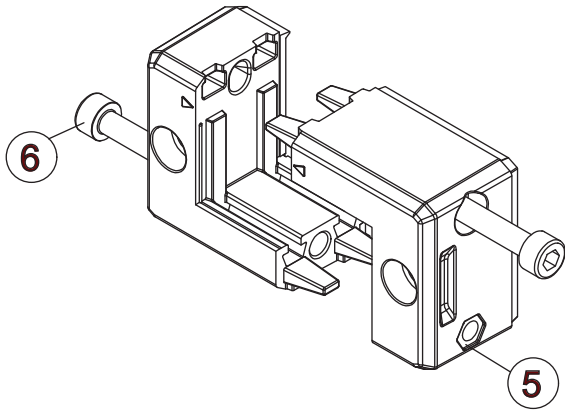
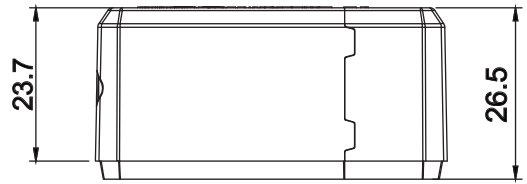
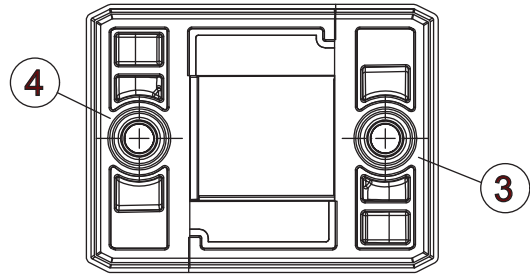
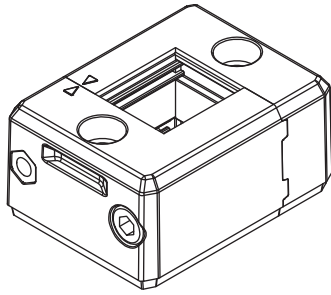


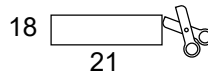
REVISIONS			
REV	DESCRIPTION	DATE	BY



Id	Description	Material	Q.ty
1	Top	PP + GF	1
2	Bottom	PP + GF	1
3	TPE Top	TPE	1
4	TPE Bottom	TPE	1
5	Nut	SS304	2
6	Screw 48	SS304	2

Flammability: UL94-V0, self-extinguishing
Temperature: -40°C ... +155°C
Properties: halogen-free, silicone-free

Recommended cut-out:
21 x 18 mm



		NEMA 4X		
	IP66	NEMA 12		
				IK10



TITLE **SPLITTABLE FRAME FOR PRE-TERMINATED CABLES**

MATERIAL **SEE ABOVE** DATE **20/03/2024**

CHECK DRAWN **E.B.**

PART NUMBER **18934FG01** DRAWING NUMBER **24/03/20.18934.E** COLOR **BLACK**

SIZE **A4** SCALE **1:2** UNIT **mm.** REV **A** UNLESS OTHERWISE SPECIFIED TOLERANCE **SEE ABOVE** APPROVED