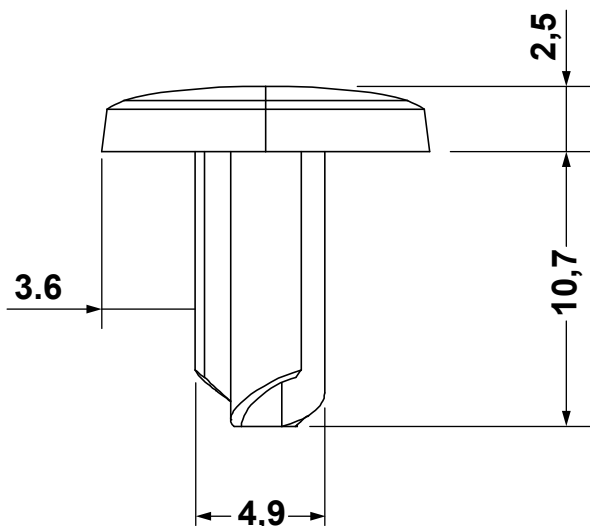
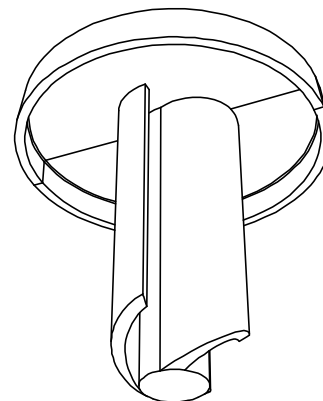
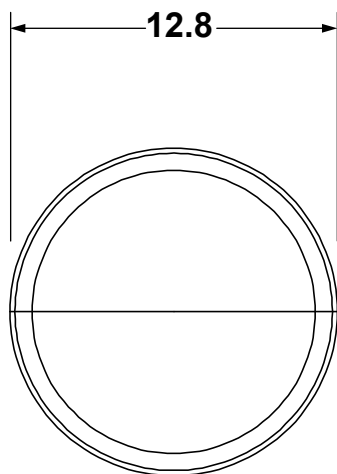


DIM.	TOL.
5mm DOWN	±0.2
5~20mm	±0.3
20~40mm	±0.4
40~60mm	±0.5
60~100mm	±0.8
100mm UP	±1.0

REVISIONS			
REV	DESCRIPTION	DATE	BY



P/N	COLOUR
25372AA00	NATURAL
25372AA01	BLACK
25372AA02	WHITE
25372AA117035	RAL 7035



**TITLE**  
**PLUGS FOR THREADED INSERTS M6**

MATERIAL PA 6.6 V2(UL94)	DATE 27/06/2018
-----------------------------	--------------------

COLOR SEE TABLE	DRAWN R.F.
--------------------	---------------

UNLESS OTHERWISE SPECIFIED TOLERANCE SEE ABOVE	CHECK
---	-------

APPROVED	
----------	--

PART NUMBER SEE TABLE		DRAWING NUMBER 18.06.27.25372.0.E	
SIZE A4	SCALE NTS	UNIT mm.	REV A