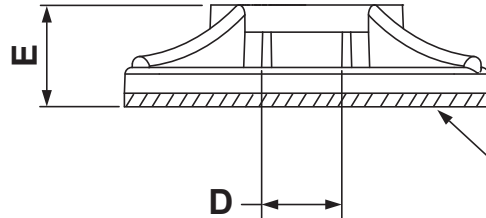
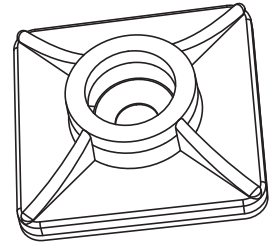
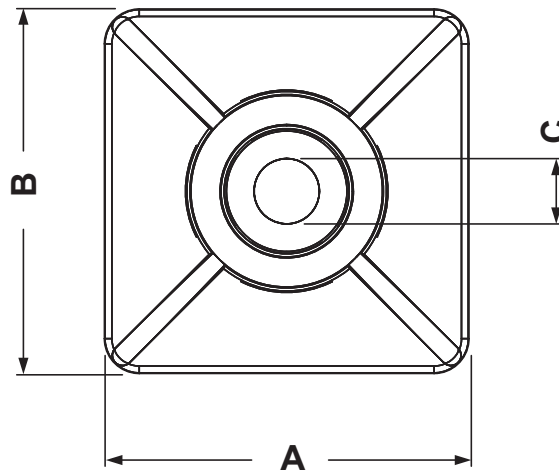


DIM.	TOL.
5mm DOWN	±0.2
5~20mm	±0.3
20~40mm	±0.4
40~60mm	±0.5
60~100mm	±0.8
100mm UP	±1.0

REVISIONS			
REV	DESCRIPTION	DATE	BY



**DOUBLE ADHESIVE TAPE
(THICKNESS 1.0 mm)**



P/N	A	B	C	D	E	Adhesive
1104AD08AS	19,0	19,0	4,1	5,0	6,0	Standard
1105AD08AS	26,5	26,5	4,8	6,4	8,0	Standard
1104AD08CS	19,0	19,0	4,1	5,0	6,0	Acrylic
1105AD08CS	26,5	26,5	4,8	6,4	8,0	Acrylic

SILICON FREE



TITLE
DETECTABLE SELF-ADHESIVE CABLE TIE MOUNT

MATERIAL PA 66 HB(UL94) DATE 27/02/2024

with metallic pigments DRAWN A.C.

PART NUMBER SEE TABLE DRAWING NUMBER 24.02.27.110X.0.E COLOR BLU CHECK

SIZE A4 SCALE NTS UNIT mm REV A UNLESS OTHERWISE SPECIFIED TOLERANCE SEE ABOVE APPROVED