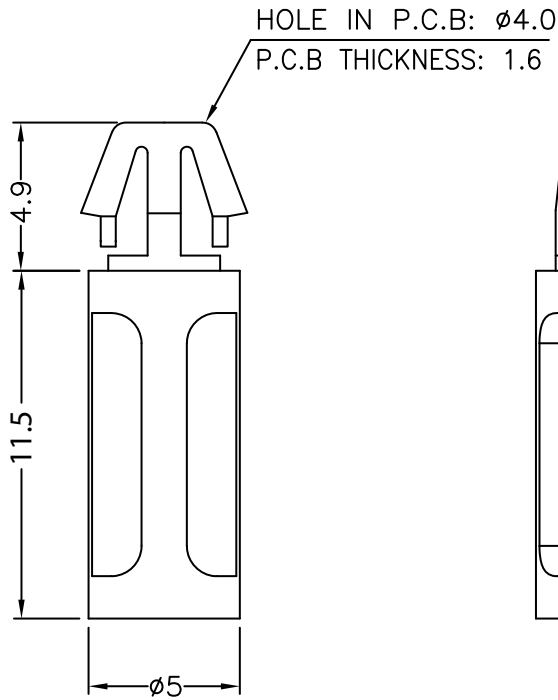



DIM.	TOL
5mm DOWN	±0.2
5~20mm	±0.3
20~40mm	±0.4
40~60mm	±0.5
60~100mm	±0.8
100mm UP	±1.0

REVISIONS			
REV	DESCRIPTION	DATE	BY



				TITLE SPACER SUPPORT	
				MATERIAL PA 66 V2 UL 94	DATE 17/05/2011
PART NUMBER 10762AA0011.5				FINISH	DRAWN D.C.
				DRAWING NUMBER 11.05.17.10762.0.E	
SIZE A4	SCALE NTS	UNIT mm.	REV C	UNLESS OTHERWISE SPECIFIED TOLERANCE SEE ABOVE	APPROVED