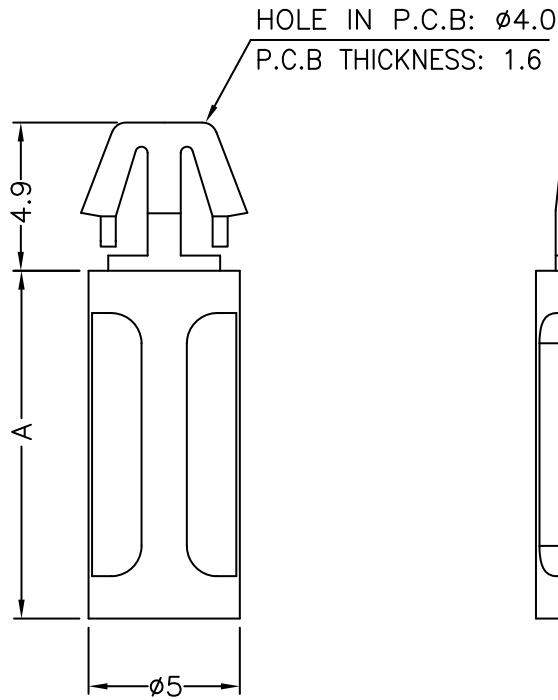


DIM.	TOL
5mm DOWN	±0.2
5~20mm	±0.3
20~40mm	±0.4
40~60mm	±0.5
60~100mm	±0.8
100mm UP	±1.0

REVISIONS			
REV	DESCRIPTION	DATE	BY



PART NO.	A
10759AA00	6,3
10760AA00	7,0
10761AA00	8,0
10762AA0010.0	10,0
10762AA0011.5	11,5
10763AA00	12,7
10764AA00	16,4



<b>fastpoint</b>		TITLE SPACER SUPPORT	
		MATERIAL PA 66 V2 UL 94	DATE 17/05/2011
PART NUMBER SEE TABLE DRAWING NUMBER 11.05.17.10759.0.E		FINISH	DRAWN D.C.
		COLOR NATURAL	CHECK
SIZE A4	SCALE NTS	UNIT mm.	REV C
UNLESS OTHERWISE SPECIFIED TOLERANCE SEE ABOVE		APPROVED	