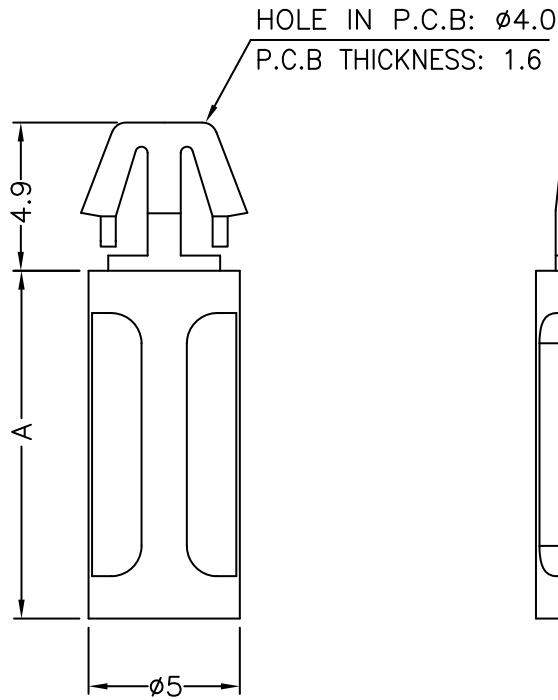


DIM.	TOL
5mm DOWN	±0.2
5~20mm	±0.3
20~40mm	±0.4
40~60mm	±0.5
60~100mm	±0.8
100mm UP	±1.0

REVISIONS			
REV	DESCRIPTION	DATE	BY



PART NO.	A
10759AA00	6.3
10760AA00	7.0
10761AA00	8.0
10762AA00	10.0
10763AA00	12.7
10764AA00	16.4



fastpoint		TITLE SPACER SUPPORT	
		MATERIAL PA 66 V2 UL 94	DATE 17/05/2011
PART NUMBER SEE TABLE		FINISH	
		DRAWN D.C.	
DRAWING NUMBER 11.05.17.10759.0.E		COLOR NATURAL	
SIZE A4	SCALE NTS	UNIT mm.	REV C
UNLESS OTHERWISE SPECIFIED TOLERANCE SEE ABOVE		CHECK APPROVED	