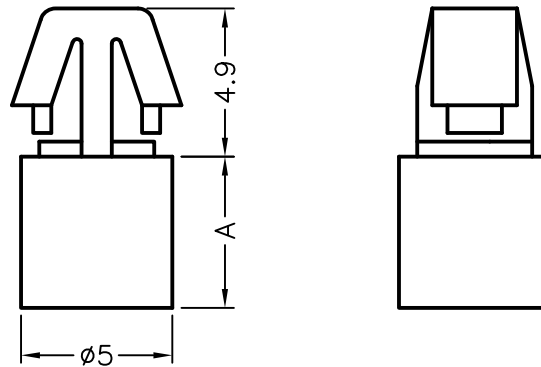


DIM.	TOL
5mm DOWN	±0.2
5~20mm	±0.3
20~40mm	±0.4
40~60mm	±0.5
60~100mm	±0.8
100mm UP	±1.0

REVISIONS			
REV	DESCRIPTION	DATE	BY

HOLE IN P.C.B $\phi 4.0$
P.C.B THICKNESS 1.6mm



PART NO.	A
10756AA00	3.0
10757AA00	4.0
10758AA00	5.0



fastpoint		TITLE SPACER SUPPORT		
		MATERIAL PA 66 V2 UL 94	DATE 17/05/2011	
		FINISH	DRAWN D.C.	
		COLOR NATURAL	CHECK	
PART NUMBER SEE TABLE	DRAWING NUMBER 11.05.17.10756.0.E	UNLESS OTHERWISE SPECIFIED TOLERANCE SEE ABOVE		
SIZE A4	SCALE NTS	UNIT mm.	REV C	APPROVED