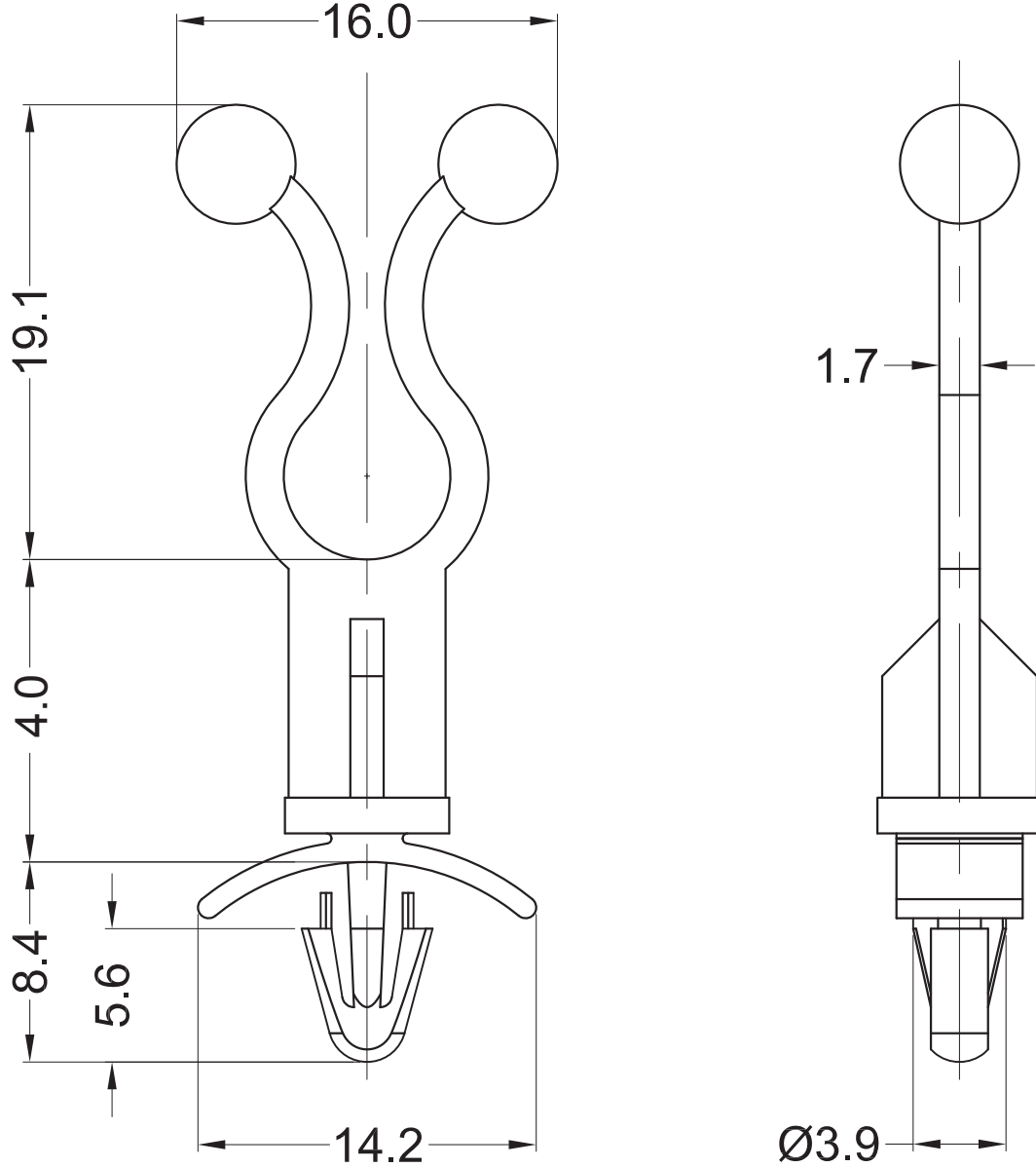


DIM.	TOL.
5mm DOWN	±0.2
5~20mm	±0.3
20~40mm	±0.4
40~60mm	±0.5
60~100mm	±0.8
100mm UP	±1.0

REVISIONS			
REV	DESCRIPTION	DATE	BY



HOLE Ø 4.0 ±0.08
PANEL THICKNESS: 0.8 - 2.0
BUNDLE DIAMETER: Ø 5.1 - 7.6

		TITLE STAND-OFF TWIST LOCK	
		MATERIAL PA 6.6 V2(UL94)	DATE 12/03/2024
PART NUMBER 18933AA00		DRAWING NUMBER 24/03/12.18933.E	
DRAWN A.C.		CHECK	
SIZE A4	SCALE NTS	UNIT mm.	REV A
UNLESS OTHERWISE SPECIFIED TOLERANCE SEE ABOVE		APPROVED	