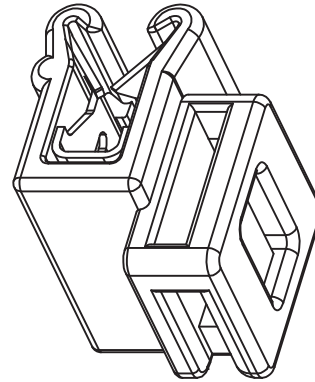
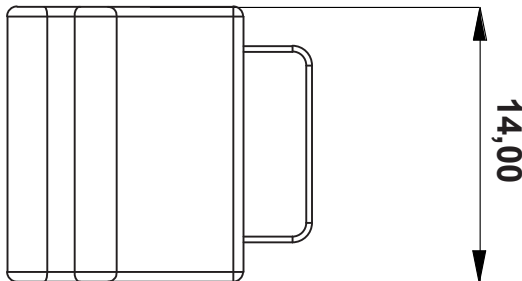
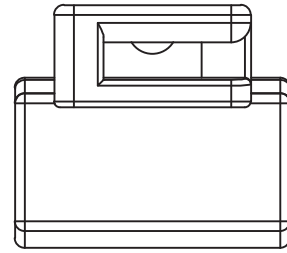
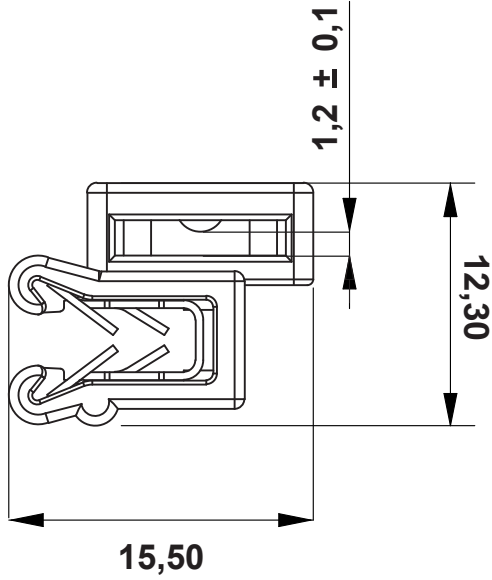


DIM.	TOL.
5mm DOWN	±0.2
5~20mm	±0.3
20~40mm	±0.4
40~60mm	±0.5
60~100mm	±0.8
100mm UP	±1.0

REVISIONS			
REV	DESCRIPTION	DATE	BY



		TITLE <b>CABLE TIE MOUNT</b>	
		MATERIAL EPDM	DATE 16/01/2024
PART NUMBER 18641AA01GS		DRAWING NUMBER 24/01/16.18641.E	
DRAWN E.B.		COLOR BLACK	CHECK
SIZE A4	SCALE NTS	UNIT mm.	REV A
UNLESS OTHERWISE SPECIFIED TOLERANCE SEE ABOVE		APPROVED	