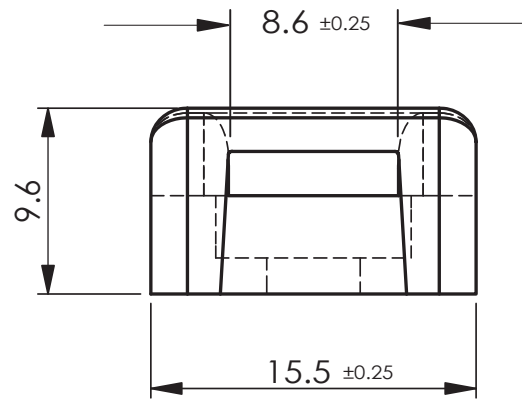
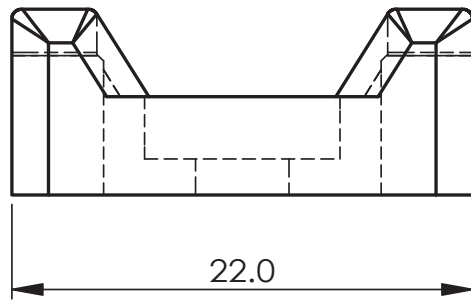
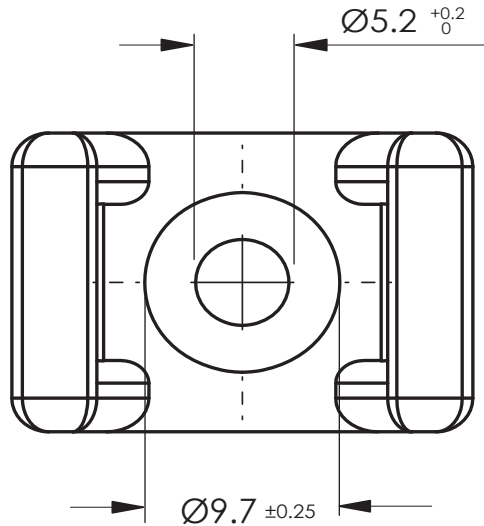



DIM.	TOL
L ≤ 10	±0.2
10 < L ≤ 30	±0.3
30 < L ≤ 50	±0.5
50 < L ≤ 100	±0.7
100 < L ≤ 250	±1.2
ABOVE 250	±1.5

REVISIONS			
REV	DESCRIPTION	DATE	BY
01	New tolerances added	07/12/2020	T.T.



				TITLE Cable Tie Holder	
				MATERIAL PA6 UL 94V2	DATE 04/11/2019
PART NUMBER 16479AA00		DRAWING NUMBER		COLOR Natural	DRAWN S.W
SIZE A4	SCALE NTS	UNIT mm.	REV A	UNLESS OTHERWISE SPECIFIED TOLERANCE SEE ABOVE	CHECK APPROVED