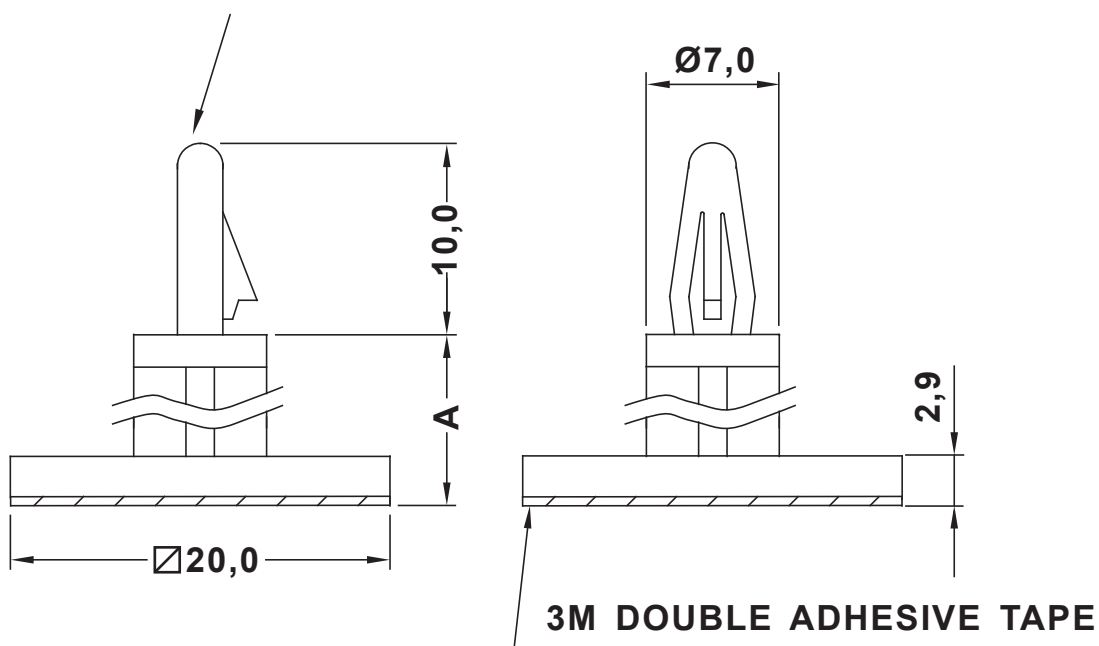


DIM.	TOL.
5mm DOWN	±0.2
5~20mm	±0.3
20~40mm	±0.4
40~60mm	±0.5
60~100mm	±0.8
100mm UP	±1.0

REVISIONS			
REV	DESCRIPTION	DATE	BY

**P.C.B HOLE Ø4.0
THICKNESS 1.2~1.7mm**



P/N	"A"±0,1
6166AA00AS	5,5
6167AA00AS	6,4
6168AA00AS	8,2
6169AA00AS	10,0
6170AA00AS	13,2
6171AA00AS	16,2



TITLE SELF-ADHESIVE SPACER SUPPORT

MATERIAL	PA66 V2 (UL94)	DATE	05/07/2017
		DRAWN	R.F.
COLOR	NATURAL	CHECK	
UNLESS OTHERWISE SPECIFIED TOLERANCE	SEE ABOVE	APPROVED	

PART NUMBER		DRAWING NUMBER	
SEE TABLE		17.07.05.616X.0.E	
SIZE	SCALE	UNIT	REV
A4	NTS	mm.	A