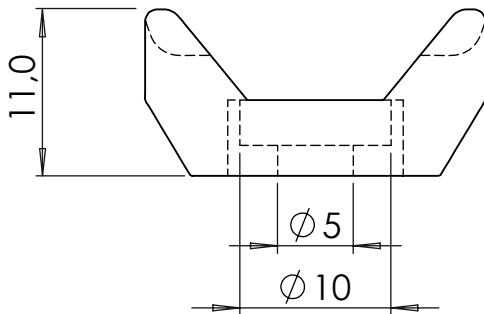
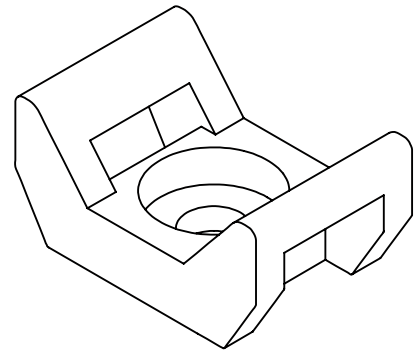
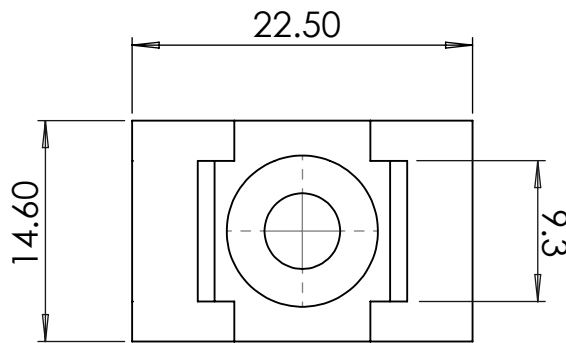


DIM.	TOL
5mm DOWN	±0.2
5~20mm	±0.3
20~40mm	±0.4
40~60mm	±0.5
60~100mm	±0.8
100mm UP	±1.0

REVISIONS			
REV	DESCRIPTION	DATE	BY



SILICON FREE

				TITLE DETECTABLE CABLE TIE MOUNT	
				MATERIAL PA66 V2 (UL94)	DATE 26/02/2024
PART NUMBER 2513DA08				FINISH with metallic pigments	DRAWN A.C.
				DRAWING NUMBER 24.02.26.2513.0.E	
SIZE A4	SCALE NTS	UNIT mm.	REV C	UNLESS OTHERWISE SPECIFIED TOLERANCE SEE ABOVE	
				APPROVED	