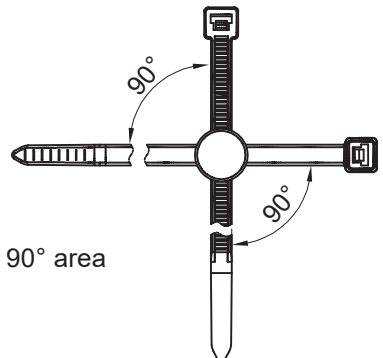
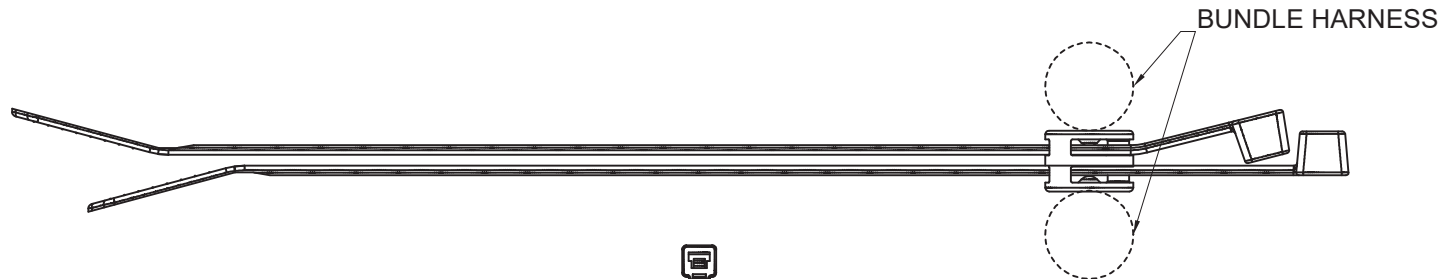
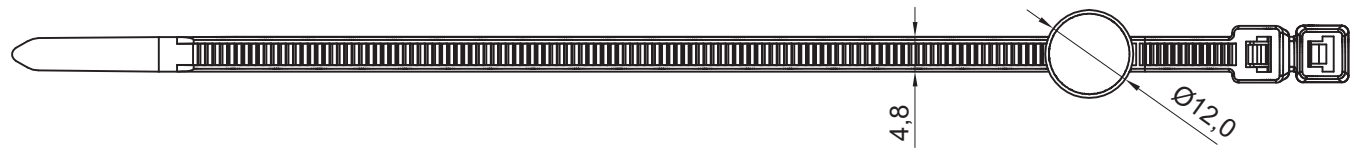
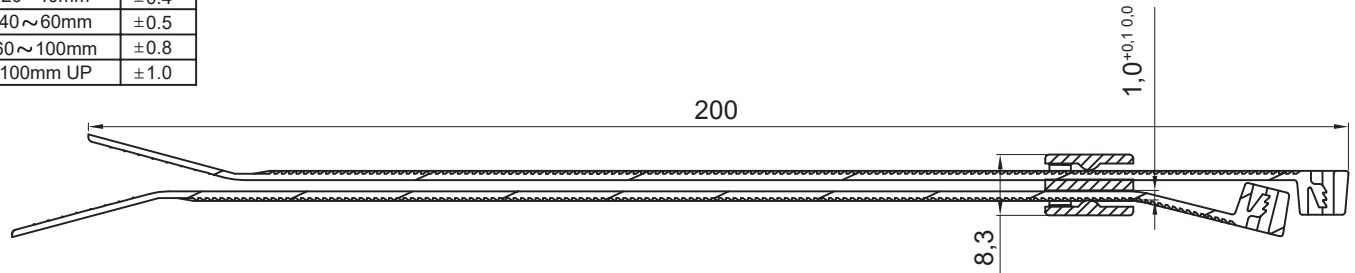
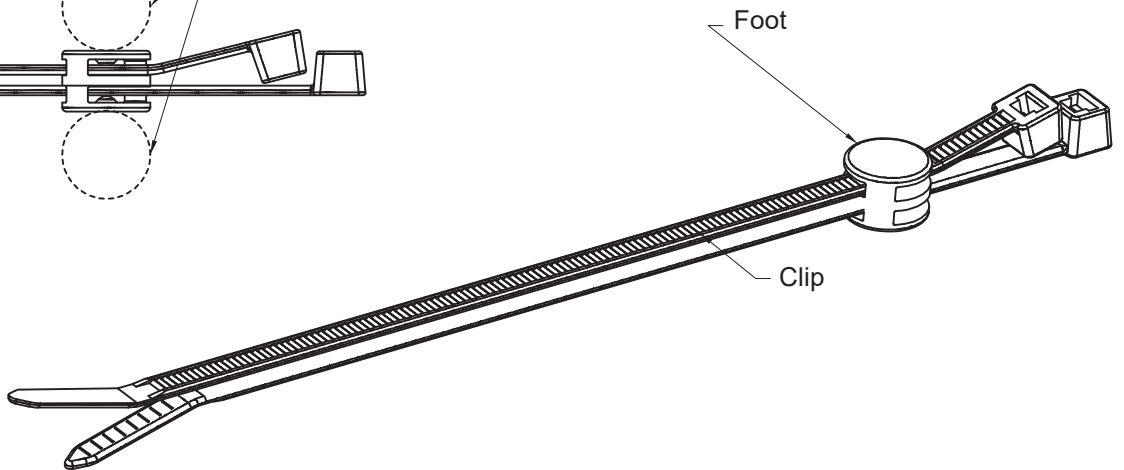


DIM.	TOL.
5mm DOWN	±0.2
5~20mm	±0.3
20~40mm	±0.4
40~60mm	±0.5
60~100mm	±0.8
100mm UP	±1.0

REVISIONS			
REV	DESCRIPTION	DATE	BY



Clip position admitted into 90° area



MUST BE FREE OF BURR, CRACK, SHRINKAGE AND IMPERFECTIONS THAT AFFECT FUNCTION  
 TENSILE BREAKING FORCE >225N  
 UNFILLED DIMENSIONS AS SHOWN IN 3D

DESCRIPTION		TITLE: CLIP		DWG UNIT: MM	
MATERIAL: PA 6		Modelled in RHINO 4.0	FILE:	DwN: 05/02/24	ChkD:
COLOUR: BLACK		TOLLERANCES UNLESS NOTED	SHEET: 1 OF 1	DT: 24.02.05.XXXXX.0.E	Part Number: 18652AA01GS
		SEE ABOVE	SCALE: NTS		
REV.	DATE				