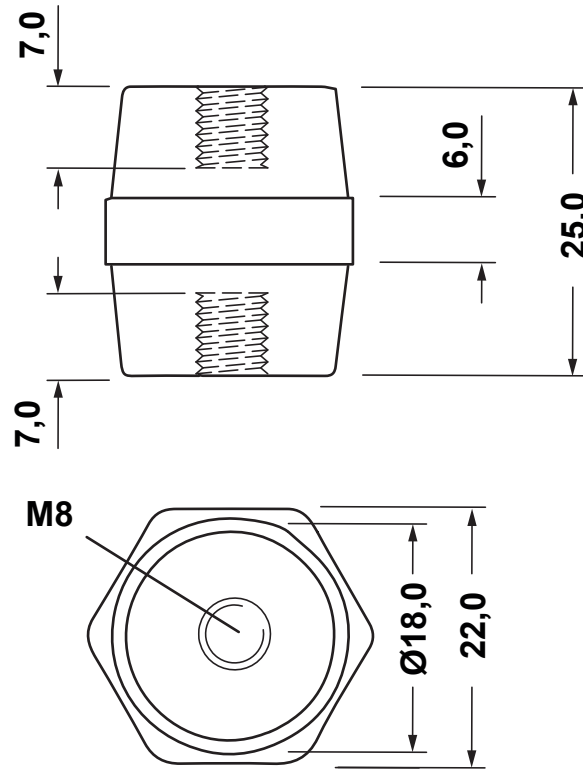


DIM.	TOL.
5mm DOWN	±0.2
5~20mm	±0.3
20~40mm	±0.4
40~60mm	±0.5
60~100mm	±0.8
100mm UP	±1.0

REVISIONS			
REV	DESCRIPTION	DATE	BY




VOLTAGE WITHSTAND (KV) 8,5

SCREW: M8

TORQUE STRENGTH: 12N

CENTIL STRENGHT: 6800N

WORKING TEMPERATURE : -40°C....140°C

				TITLE Busbar Support Insulation Spacer Holder	
				MATERIAL BMC/DMC	DATE 21/03/2022
PART NUMBER 17953PT04				DRAWN A.C.	
				DRAWING NUMBER 22.05.13.17953.0.E	
SIZE A4				COLOR RED	
				CHECK	
SCALE NTS		UNIT mm.		REV A	
UNLESS OTHERWISE SPECIFIED TOLERANCE SEE ABOVE				APPROVED	