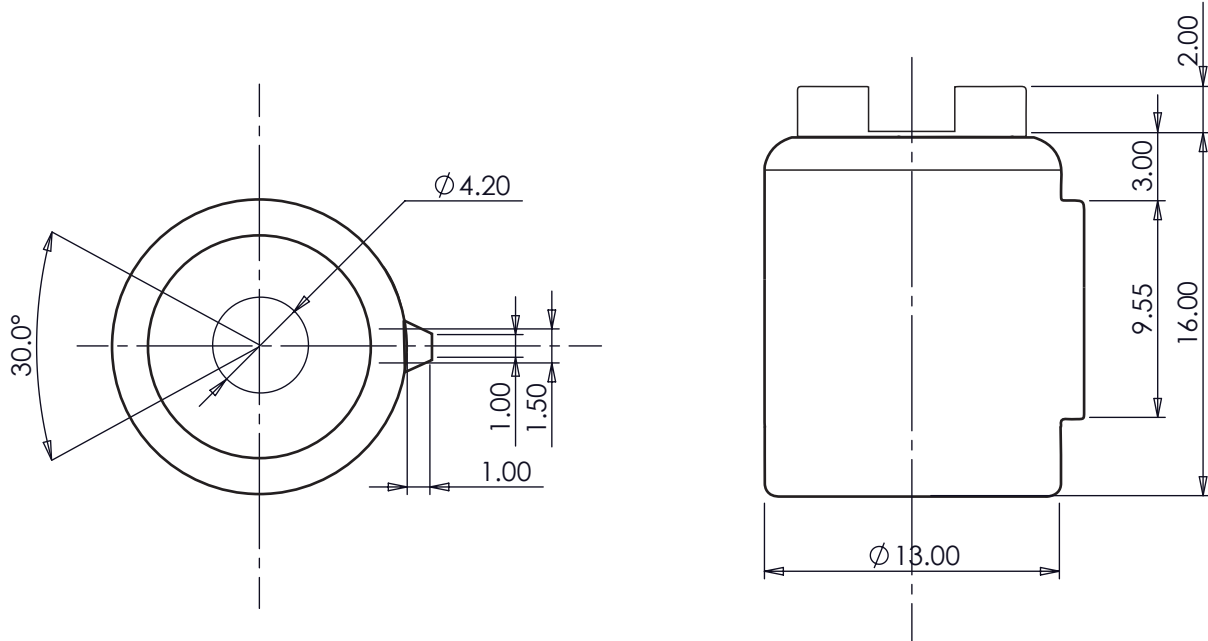


DIM.	TOL.
5mm DOWN	±0.2
5~20mm	±0.3
20~40mm	±0.4
40~60mm	±0.5
60~100mm	±0.8
100mm UP	±1.0

REVISIONS			
REV	DESCRIPTION	DATE	BY



P/N	TORQUE	ROTATION
18626XX00	5Ncm ±0.85	FULL
18627XX00	6Ncm ±0.85	FULL
18628XX00	8Ncm ±1.1	FULL
49004XX00	10Ncm ±1.5	FULL
18629XX00	11Ncm ±1.7	FULL
18630XX00	15Ncm ±2.4	220°
18631XX00	20Ncm ±3.2	220°
18632XX00	30Ncm ±4.5	220°



**WORKING CONDITIONS:**  
**-TEMPERATURE: -30°C TO +90°C**  
**-LIFETIME: 50'000 CYCLES**

		TITLE <b>BARREL DAMPER</b>	
		MATERIAL PA6 / POM / NBR / SILICONE	DATE 13/12/2023
PART NUMBER SEE TABLE		DRAWING NUMBER 23/12/13.1862X	
DRAWN E.B.		CHECK	
SIZE A4	SCALE NTS	UNIT mm.	REV A
UNLESS OTHERWISE SPECIFIED TOLERANCE SEE ABOVE		APPROVED	