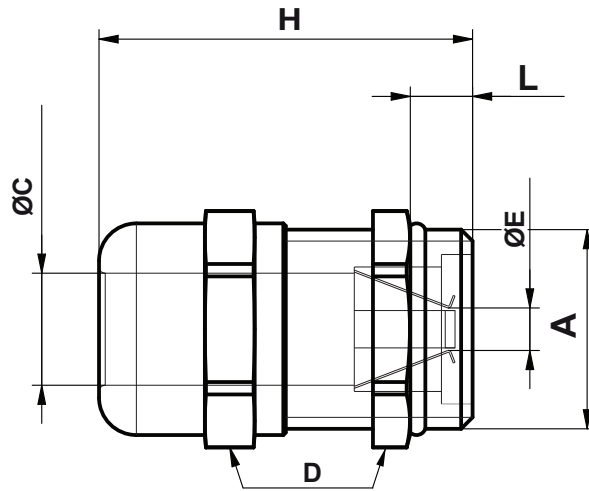


DIM.	TOL.
5mm DOWN	±0.2
5~20mm	±0.3
20~40mm	±0.4
40~60mm	±0.5
60~100mm	±0.8
100mm UP	±1.0


REVISIONS			
REV	DESCRIPTION	DATE	BY



P/N	A	ØC	ØE	L	D	H
18575MA92	M16x1,5	5,0 - 9,0	2,0 - 8,0	5,0	17,0	30,0
18576MA92	M20x1,5	9,0 - 13,0	3,0 - 11,0	6,0	22,0	33,5
18577MA92	M25x1,5	11,0 - 16,0	8,0 - 14,0	7,0	27,0	36,5
18578MA92	M32x1,5	14,0 - 20,0	10,0 - 19,0	8,0	34,0	38,0
18579MA92	M40x1,5	19,0 - 27,0	15,0 - 25,0	8,0	43,0	41,0
18580MA92	M50x1,5	24,0 - 35,0	22,0 - 33,0	9,0	55,0	49,5
18581MA92	M63x1,5	32,0 - 42,0	31,0 - 40,0	10,0	65,0	52,5

**DOME NUT: BRASS NICKEL-PLATED**  
**LAMELLAR INSERT: PA6 V2(UL94)**  
**SEALING RING: NBR**  
**CONTACT SPRING: STAINLESS STEEL**  
**GLAND BODY: BRASS NICKEL-PLATED**

**O-RING: NBR**  
**INDEX PROTECTION: IP68**  
**WORKING TEMPERATURE: -20°C/+100°C (DYNAMIC)**  
**-40°C (STATIC, SHORT TERM)**

		TITLE <b>EMC CABLE GLAND METRIC</b>	
		MATERIAL SEE ABOVE	DATE 03/10/2023
PART NUMBER SEE TABLE		DRAWING NUMBER 23/10/03.185.X.E	
DRAWING NUMBER 23/10/03.185.X.E		DRAWN E.B.	
SIZE A4	SCALE NTS	COLOR	CHECK
UNIT mm.	REV A	UNLESS OTHERWISE SPECIFIED TOLERANCE SEE ABOVE	APPROVED