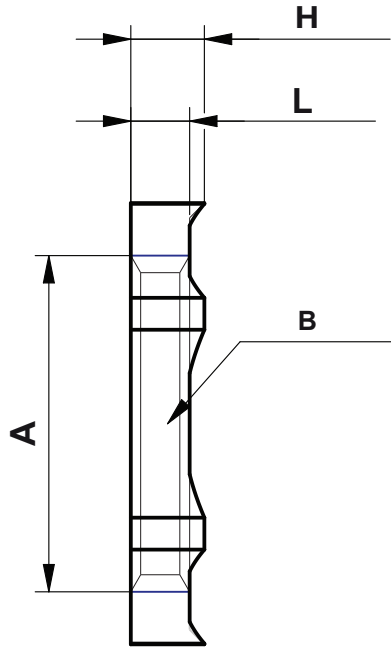



DIM.	TOL.
5mm DOWN	±0.2
5~20mm	±0.3
20~40mm	±0.4
40~60mm	±0.5
60~100mm	±0.8
100mm UP	±1.0

REVISIONS			
REV	DESCRIPTION	DATE	BY



P/N	A	L	B	H
18501MA92	M16x1,5	2,8	19,0	3,5
17943MA92	M20x1,5	3,0	24,0	3,7
18502MA92	M25x1,5	3,5	30,0	4,2
18582MA92	M32x1,5	4,0	36,0	4,7
18583MA92	M40x1,5	5,0	46,0	5,7
18584MA92	M50x1,5	5,0	60,0	5,7
18585MA92	M63x1,5	6,0	70,0	6,7

HEXAGONAL LOCKNUT: BRASS
LEAD-FREE
WORKING TEMPERATURE: -60°C/+200°C

		TITLE EMC METRIC HEXAGONAL LOCKNUT	
		MATERIAL BRASS	DATE 04/10/2023
PART NUMBER SEE TABLE		DRAWING NUMBER 23/10/04.185.X.E	
DRAWING NUMBER 23/10/04.185.X.E		COLOR NICKEL-PLATED	CHECK
SIZE A4	SCALE NTS	UNIT mm.	REV A
UNLESS OTHERWISE SPECIFIED TOLERANCE SEE ABOVE		APPROVED	