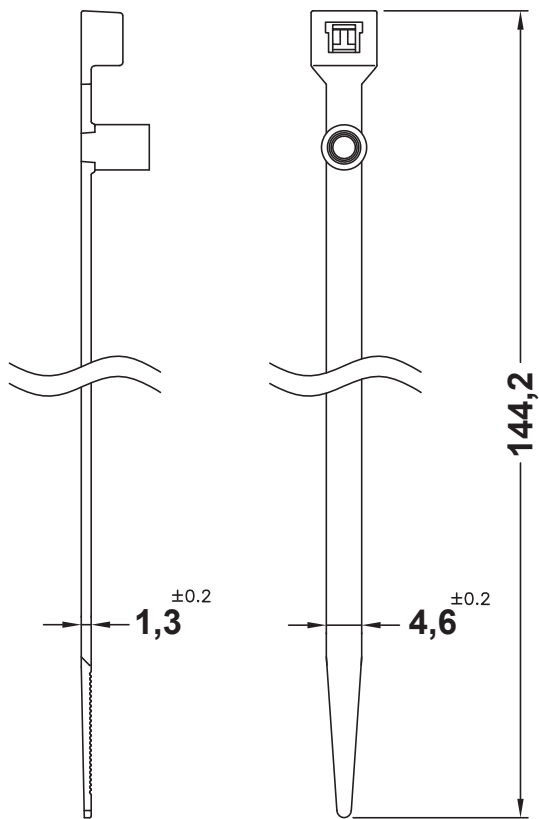
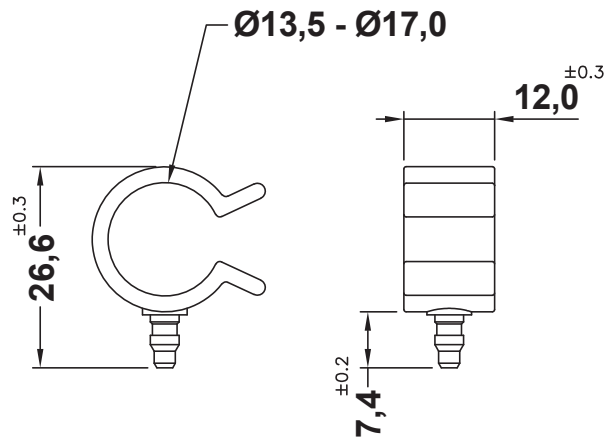


REVISIONS			
REV	DESCRIPTION	DATE	BY

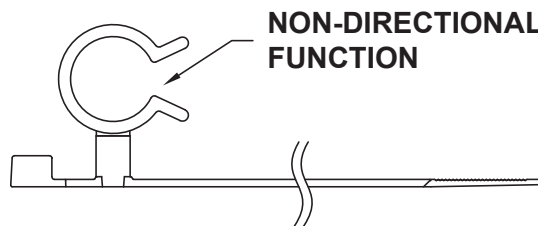


CABLE TIES



CABLE CLAMP

BUNDLE DIAMETER: MAX Ø30,0



ASSEMBLING SCHEMATIC DIAGRAM

**SHIPPING AFTER ASSEMBLING
WITHOUT SHEDDING.**



TITLE WIRE MOUNT		MATERIAL PA 66 V2(UL94)		DATE 15/03/2019	
		COLOR BLACK		DRAWN R.F.	
PART NUMBER 12876AA01		DRAWING NUMBER 19.03.15.12876.0.E		CHECK	
SIZE A4		SCALE 1:1		UNLESS OTHERWISE SPECIFIED TOLERANCE SEE ABOVE	
UNIT mm.		REV A		APPROVED	