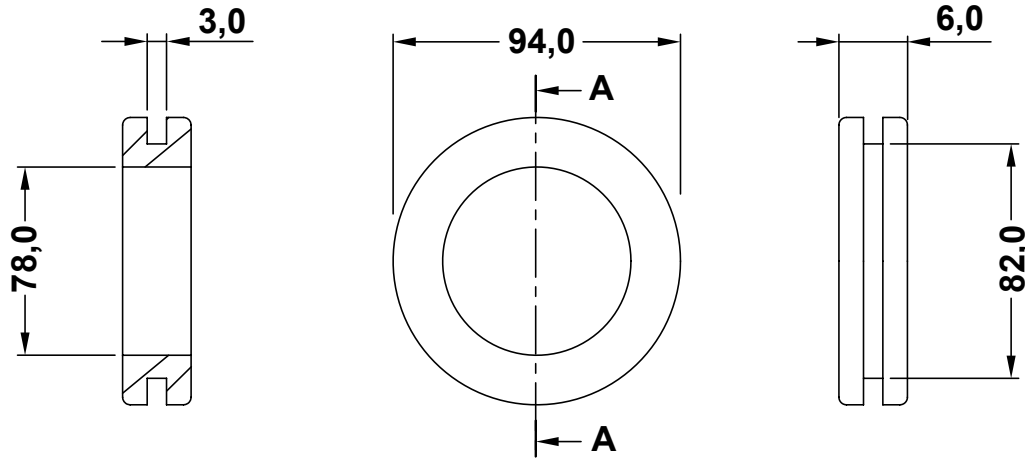



DIM.	TOL.
5mm DOWN	±0.2
5~20mm	±0.3
20~40mm	±0.4
40~60mm	±0.5
60~100mm	±0.8
100mm UP	±1.0

REVISIONS			
REV	DESCRIPTION	DATE	BY



SECTION A-A

DESCRIPTION		TITLE: SOFT PVC GROMMETS		DWG UNIT: MM	
MATERIAL: PVC		Modelled in RHINO 4.0		DwN: 09/01/18	ChkD:
COLOUR: BLACK		TOLLERANCES UNLESS NOTED	SHEET: 1 OF 1	DT: 18.01.09.2408.0.E	Part Number: 2408CA01
		SEE ABOVE	SCALE: NTS		
REV.	DATE				