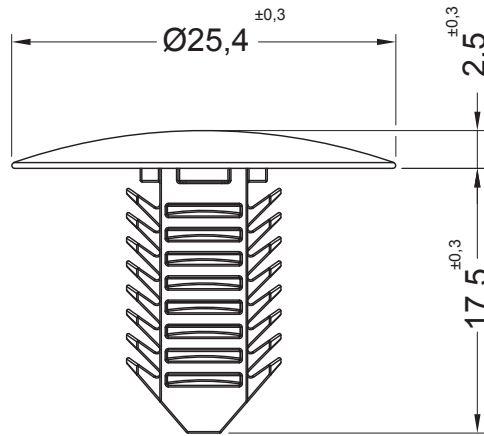



DIM.	TOL.
5mm DOWN	±0.2
5~20mm	±0.3
20~40mm	±0.4
40~60mm	±0.5
60~100mm	±0.8
100mm UP	±1.0

REVISIONS			
REV	DESCRIPTION	DATE	BY



P/N	COLOR
18213AA00	NATURAL
18213AA01	BLACK

MOUNTING HOLE: Ø9,5
PANEL THICKNESS: 1,6 - 12,7

				TITLE SNAP RIVET	
				MATERIAL PA 66 V2(UL94)	DATE 27/07/2022
PART NUMBER SEE TABLE				DRAWN A.C.	
				DRAWING NUMBER 22.07.27.18213.0.E	
SIZE A4				CHECK	
				UNLESS OTHERWISE SPECIFIED TOLERANCE SEE ABOVE	
SCALE 2:1		UNIT mm.	REV A	APPROVED	