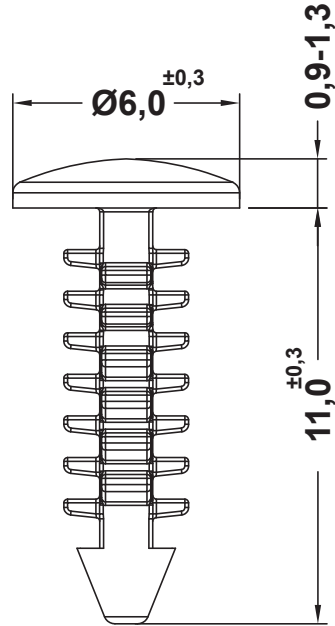
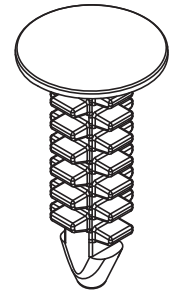



DIM.	TOL.
5mm DOWN	±0.2
5~20mm	±0.3
20~40mm	±0.4
40~60mm	±0.5
60~100mm	±0.8
100mm UP	±1.0

REVISIONS			
REV	DESCRIPTION	DATE	BY



MOUNTING HOLE: Ø3,0-Ø3,3
THICKNESS: 1,5-8,0

P/N	COLOUR
18202AA00	NATURAL
18202AA01	BLACK

				TITLE SNAP RIVET	
				MATERIAL PA 6 V2(UL94)	DATE 22/07/2022
PART NUMBER SEE TABLE				DRAWN A.C.	
				DRAWING NUMBER 22.07.22.18202.0.E	
SIZE A4	SCALE 5:1	UNIT mm.	REV A	UNLESS OTHERWISE SPECIFIED TOLERANCE SEE ABOVE	
				CHECK	
				APPROVED	