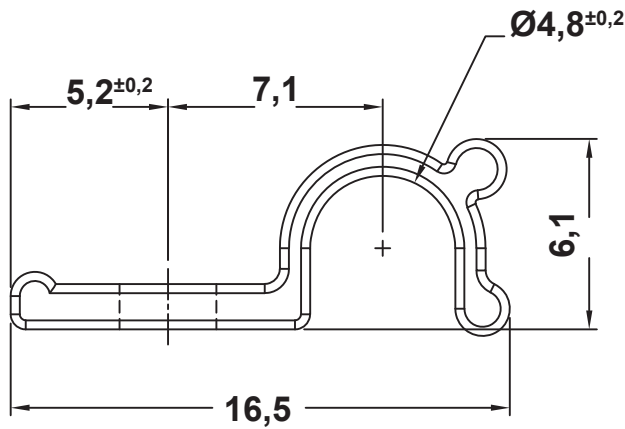
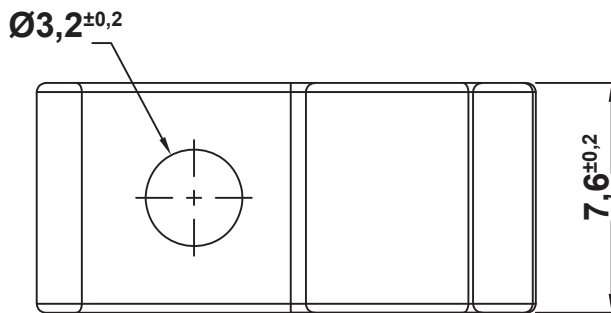
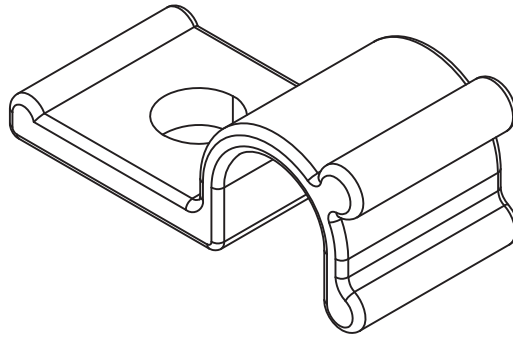



DIM.	TOL.
5mm DOWN	±0.2
5~20mm	±0.3
20~40mm	±0.4
40~60mm	±0.5
60~100mm	±0.8
100mm UP	±1.0

REVISIONS			
REV	DESCRIPTION	DATE	BY



		TITLE <b>WIRE CLAMP</b>	
		MATERIAL PA 6.6 V2(UL94)	DATE 22/09/2023
PART NUMBER 18572AA00		DRAWING NUMBER 23/09/2218572.X.E	
DRAWN A.C.		CHECK	
SIZE A4	SCALE 4:1	UNIT mm.	REV A
UNLESS OTHERWISE SPECIFIED TOLERANCE SEE ABOVE		APPROVED	