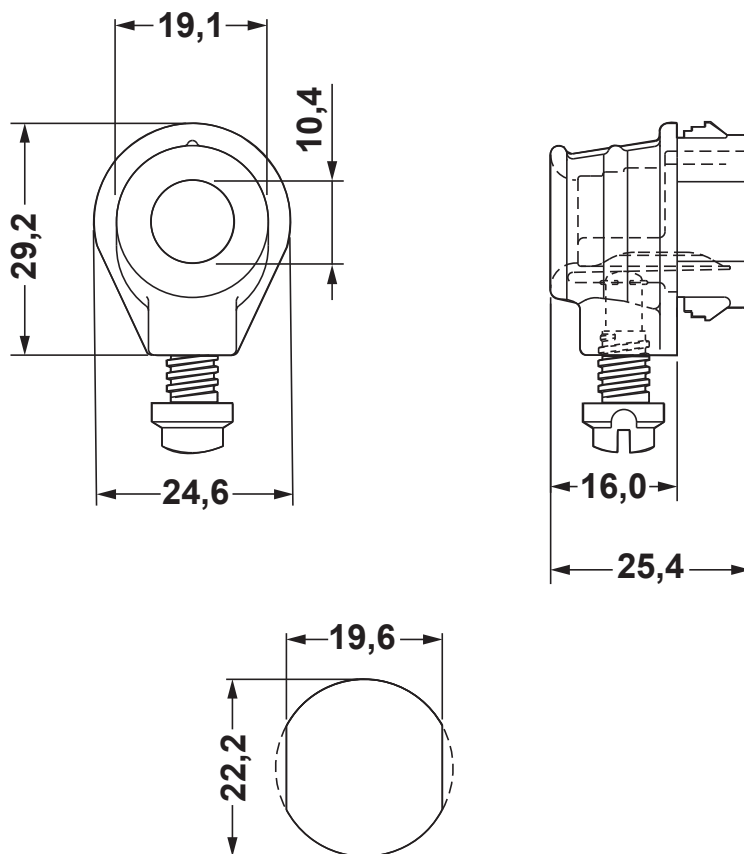


DIM.	TOL.
5mm DOWN	±0.2
5~20mm	±0.3
20~40mm	±0.4
40~60mm	±0.5
60~100mm	±0.8
100mm UP	±1.0

REVISIONS			
REV	DESCRIPTION	DATE	BY



### MOUNTING HOLE

APPROX. CABLE DIAMETER	THICKNESS
UP TO Ø 9,1	Ø 1,6 - 3,2

**WORKING TEMPERATURE: -18°C.....+105°C**



### TITLE STRAIN RELIEF BUSHING

MATERIAL PA 6.6 V2(UL94)	DATE 31/07/2018
COLOR BLACK	DRAWN R.F.
UNLESS OTHERWISE SPECIFIED TOLERANCE SEE ABOVE	CHECK APPROVED

PART NUMBER 22111AA01	DRAWING NUMBER 18.07.31.22111.0.E
SIZE A4	SCALE NTS
UNIT mm.	REV A