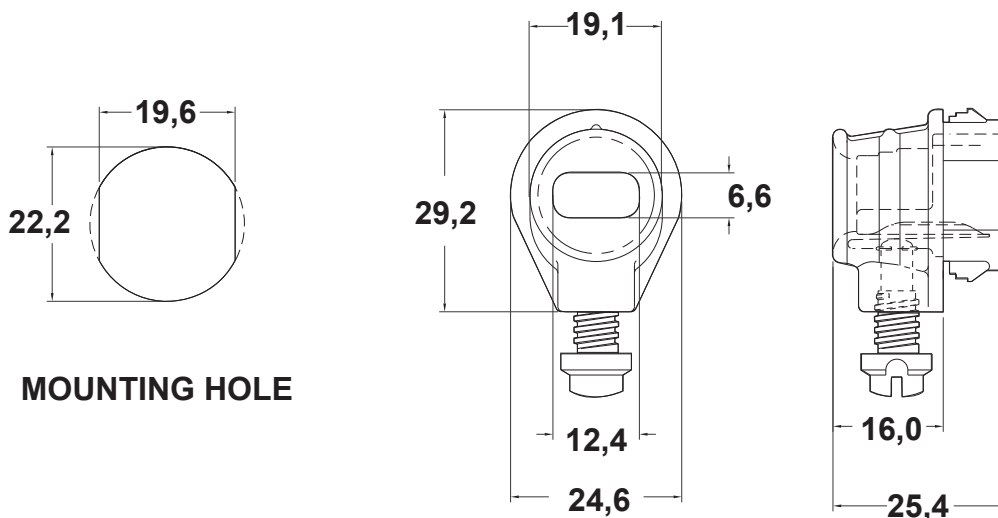


DIM.	TOL.
5mm DOWN	±0.2
5~20mm	±0.3
20~40mm	±0.4
40~60mm	±0.5
60~100mm	±0.8
100mm UP	±1.0

REVISIONS			
REV	DESCRIPTION	DATE	BY



MOUNTING HOLE

APPROX. CABLE DIAMETER	THICKNESS
Ø 6,4 - 10,2	Ø 1,6 - 3,2

WORKING TEMPERATURE: -18°C.....+105°C

				TITLE STRAIN RELIEF BUSHING	
				MATERIAL PA66 V2 (UL94)	
PART NUMBER 18498AA01				DRAWING NUMBER 23.08.28.18498.0.E	
				DRAWN A.C.	
SIZE A4				SCALE NTS	
UNIT mm.				REV A	
UNLESS OTHERWISE SPECIFIED TOLERANCE SEE ABOVE				APPROVED	