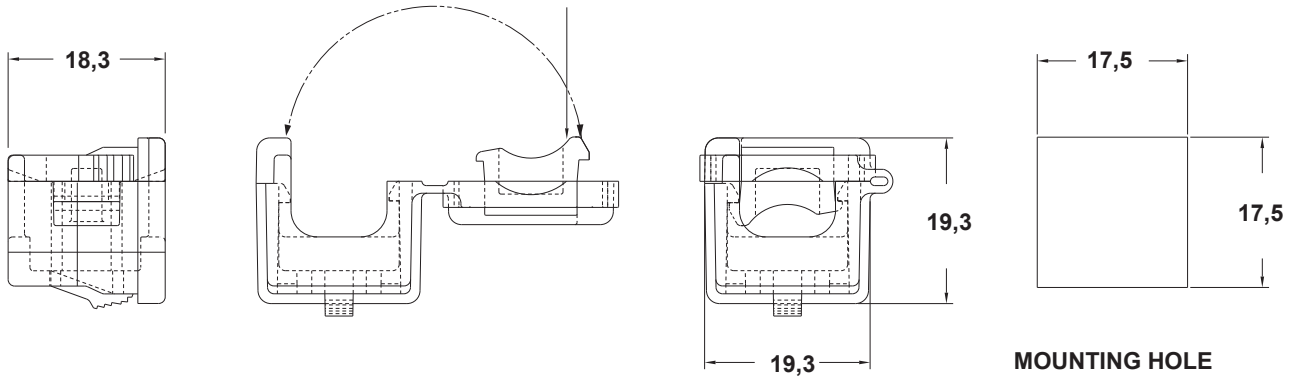


REVISIONS			
REV	DESCRIPTION	DATE	BY



LOCKING TAB VARIES WITH CABLE SIZE



P/N	COLOR
16493AA01	BLACK
16493AA02	WHITE

PANEL THICKNESS 0,8 - 1,6 - 2,5 - 3,2 - 4,0

CABLE SIZE: 7,4 - 9,1

CABLE AWG/CONDUCTORS: various

WORKING TEMPERATURE: -18°C....+105°C



TITLE STRAIN RELIEF BUSHINGS		MATERIAL PA 66 V2(UL94)		DATE 23/08/2023	
		COLOR SEE ABOVE		DRAWN A.C.	
PART NUMBER SEE ABOVE		DRAWING NUMBER 23.08.23.16493.0.E		CHECK SEE ABOVE	
SIZE A4	SCALE NTS	UNIT mm.	REV A	UNLESS OTHERWISE SPECIFIED TOLERANCE SEE ABOVE	
				APPROVED SEE ABOVE	