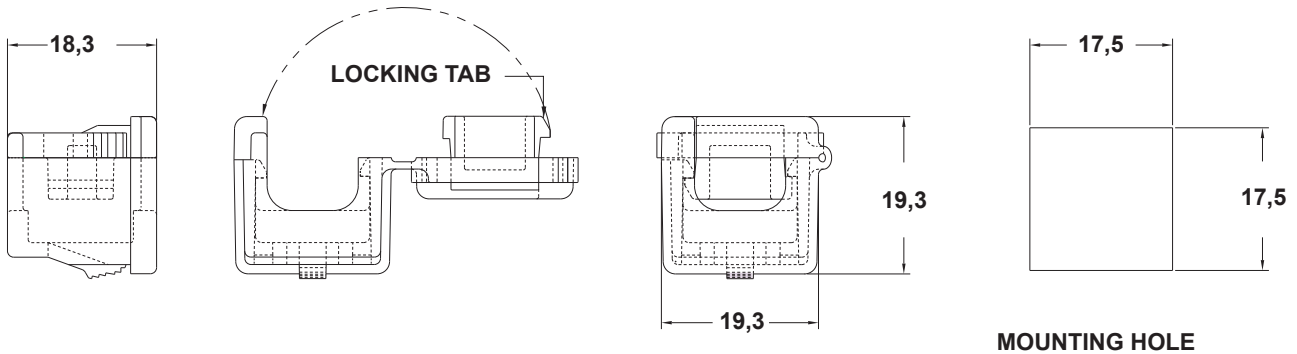


REVISIONS			
REV	DESCRIPTION	DATE	BY



P/N	COLOR
16491AA01	BLACK
16491AA02	WHITE

**PANEL THICKNESS: 0,8-1,6-2,5-3,2-4,0**  
**CABLE SIZE: from 3,8 to 10,9**  
**CABLE AWG/CONDUCTORS: from 18/3 to 14/2**



<b>TITLE</b> <b>STRAIN RELIEF BUSHINGS</b>		<b>MATERIAL</b> PA 66 V2(UL94)		<b>DATE</b> 23/08/2023	
		<b>COLOR</b> SEE ABOVE		<b>DRAWN</b> A.C.	
<b>PART NUMBER</b> SEE ABOVE		<b>DRAWING NUMBER</b> 23.08.23.16491.0.E		<b>CHECK</b> SEE ABOVE	
<b>SIZE</b> A4	<b>SCALE</b> NTS	<b>UNIT</b> mm.	<b>REV</b> A	<b>UNLESS OTHERWISE SPECIFIED TOLERANCE</b> SEE ABOVE	
				<b>APPROVED</b>	