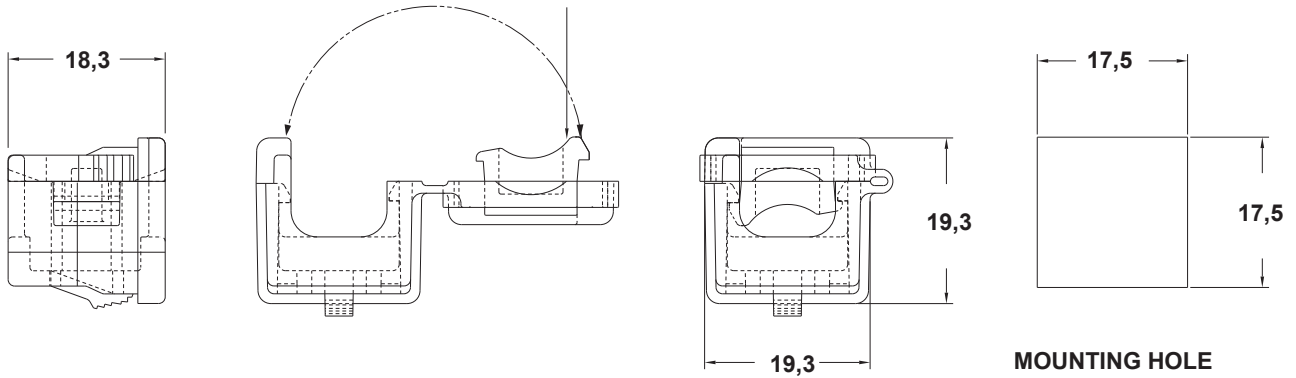


REVISIONS			
REV	DESCRIPTION	DATE	BY



LOCKING TAB VARIES WITH CABLE SIZE



P/N	COLOR
12463AA01	BLACK
12463AA02	WHITE

PANEL THICKNESS 0,8 - 1,6 - 2,5 - 3,2 - 4,0

CABLE SIZE: 9,0 - 10,6

CABLE AWG/CONDUCTORS: various

WORKING TEMPERATURE: -18°C....+105°C



TITLE
STRAIN RELIEF BUSHINGS

MATERIAL PA 66 V2(UL94)	DATE 23/08/2023
----------------------------	--------------------

COLOR SEE ABOVE	DRAWN A.C.
--------------------	---------------

UNLESS OTHERWISE SPECIFIED TOLERANCE SEE ABOVE	CHECK
---	-------

APPROVED

PART NUMBER SEE ABOVE	DRAWING NUMBER 23.08.23.12463.0.E
SIZE A4	SCALE NTS
UNIT mm.	REV A