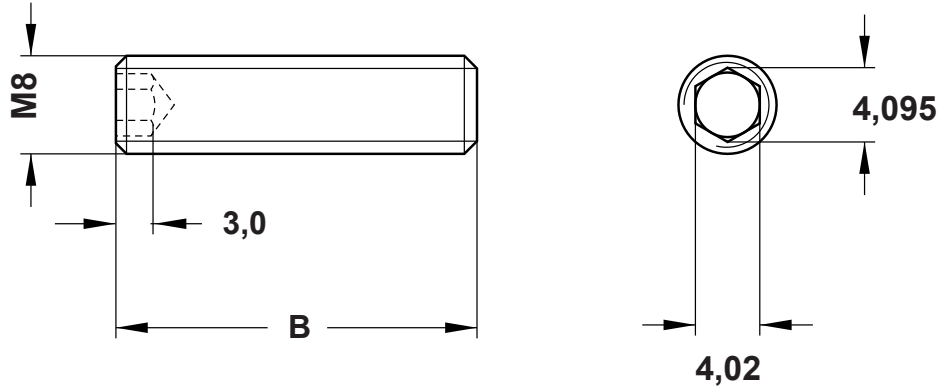



DIM.	TOL.
5mm DOWN	±0.2
5~20mm	±0.3
20~40mm	±0.4
40~60mm	±0.5
60~100mm	±0.8
100mm UP	±1.0

REVISIONS			
REV	DESCRIPTION	DATE	BY



P/N	B
10340AA0005.0	5.0
10340AA0006.0	6.0
10340AA0008.0	8.0
10340AA0010.0	10.0
10340AA0012.0	12.0
10340AA0014.0	14.0
10340AA0016.0	16.0
10340AA0018.0	18.0
10340AA0020.0	20.0
10340AA0022.0	22.0
10340AA0026.0	26.0

		TITLE THREADED PINS WITH HEXAGONAL SOCKET DIN 913	
		MATERIAL PA6	DATE 27/07/2021
PART NUMBER SEE TABLE		DRAWING NUMBER 21.07.27.10340.0.E	
DRAWING NUMBER 21.07.27.10340.0.E		COLOR NATURAL	CHECK
SIZE A4	SCALE NTS	UNIT mm.	REV A
UNLESS OTHERWISE SPECIFIED TOLERANCE SEE ABOVE		APPROVED	