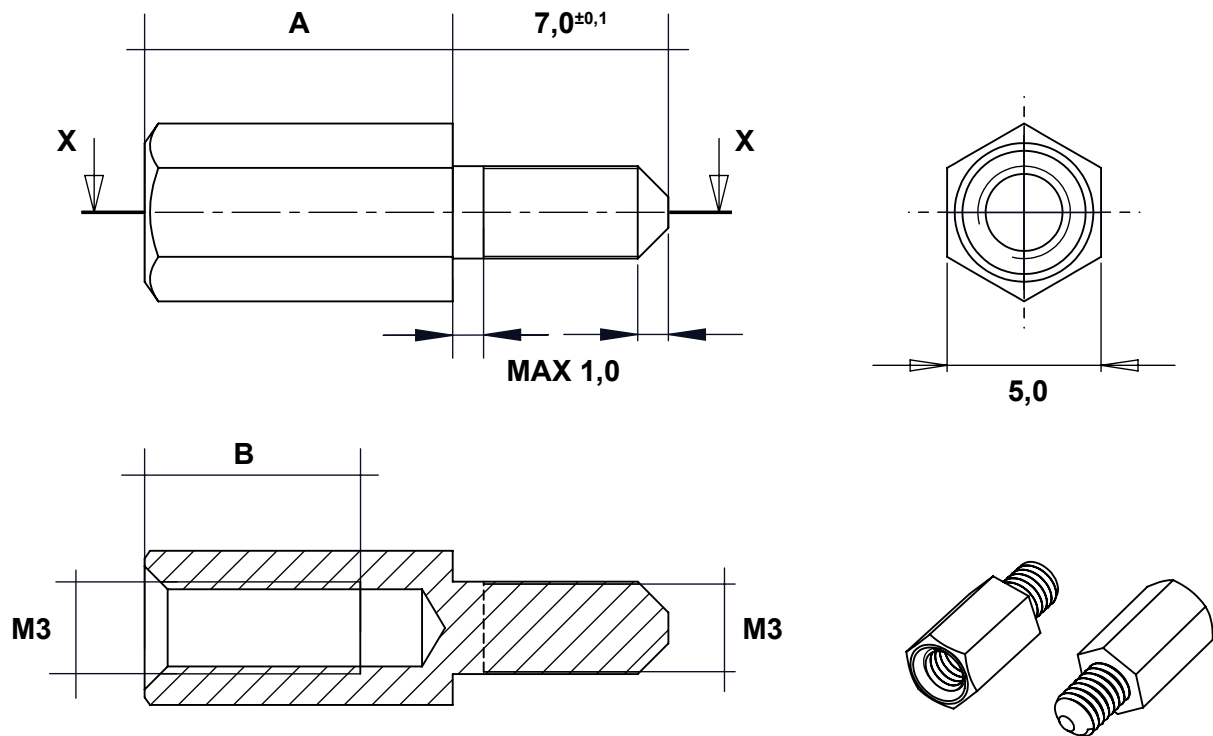


REVISIONS			
REV	DESCRIPTION	DATE	BY



**SECTION X-X**

P/N	A	B
7555MA92	5,0	3,0
7557MA92	6,0	5,0
7559MA92	7,0	5,5
7560MA92	8,0	6,0
7561MA92	9,0	7,0
7538MA92	10,0	7,0
7539MA92	11,0	7,0
7540MA92	12,0	7,0
7541MA92	13,0	7,0
7542MA92	14,0	7,0
7543MA92	15,0	7,0
7544MA92	16,0	7,0

P/N	A	B
7545MA92	17,0	7,0
7546MA92	18,0	7,0
7547MA92	20,0	7,0
7548MA92	22,0	7,0
7549MA92	25,0	7,0
7550MA92	30,0	7,0
7551MA92	32,0	7,0
7552MA92	35,0	7,0
7553MA92	40,0	7,0
7554MA92	45,0	7,0
7556MA92	50,0	7,0
7558MA92	60,0	7,0

				<b>TITLE</b> M3 THREADED SPACER			
				<b>MATERIAL</b> BRASS CW612		<b>DATE</b> 15/04/2021	
				<b>COLOR</b> NIKEL - PLATED		<b>DRAWN</b> R.F.	
<b>PART NUMBER</b> SEE TABLE		<b>DRAWING NUMBER</b> 21.04.15.75XX.0.E		<b>CHECK</b>			
<b>SIZE</b> A4	<b>SCALE</b> NTS	<b>UNIT</b> mm.	<b>REV</b> A	<b>UNLESS OTHERWISE SPECIFIED TOLERANCE</b> ± 0.1			
				<b>APPROVED</b>			