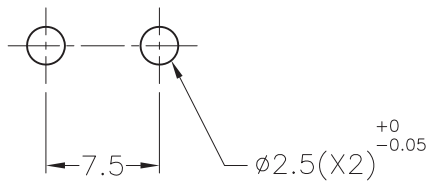
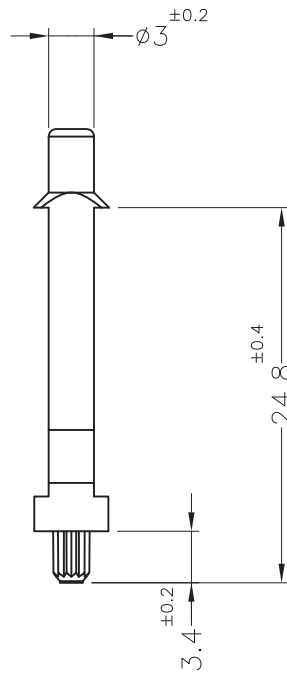
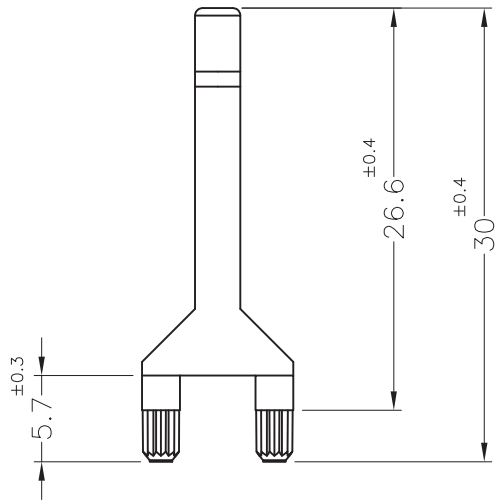
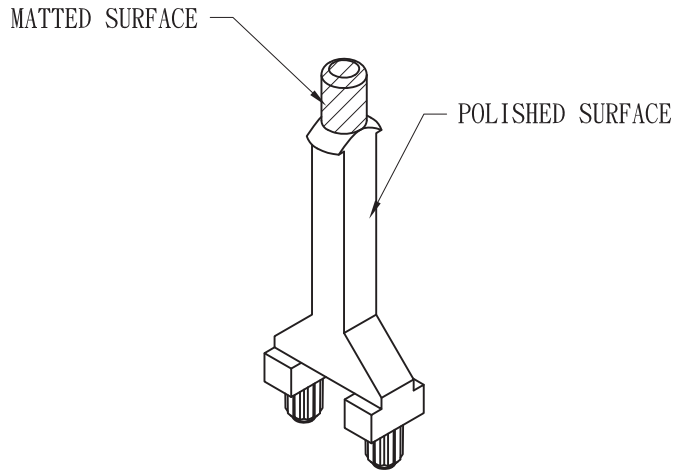



DIM.	TOL.
5mm DOWN	±0.2
5~20mm	±0.3
20~40mm	±0.4
40~60mm	±0.5
60~100mm	±0.8
100mm UP	±1.0

REVISIONS			
REV	DESCRIPTION	DATE	BY



MOUNTING HOLE
(RECOMMEND FOR REFERENCE ONLY)

		TITLE		LIGHT PIPE	
		MATERIAL	PC UL94V-0	DATE	31/07/2023
PART NUMBER		DRAWING NUMBER		ADESIVO	
18482NV00		23.07.31.18482.0.E		DRAWN	
SIZE		UNIT		CHECK	
A4		mm		A.C.	
SCALE		REV		COLOR	
2:1		A		CLEAR	
UNLESS OTHERWISE SPECIFIED TOLERANCE		APPROVED		SEE ABOVE	