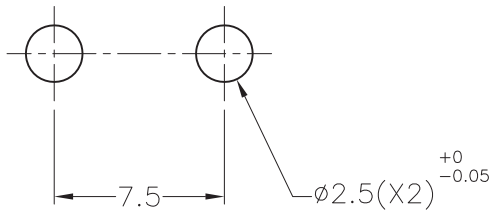
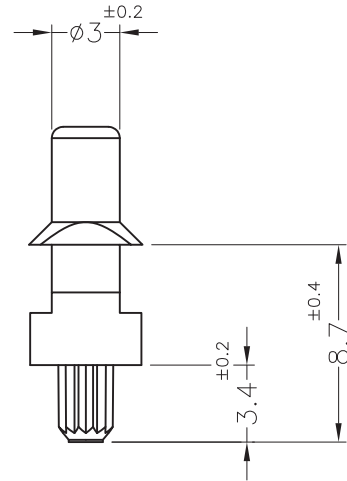
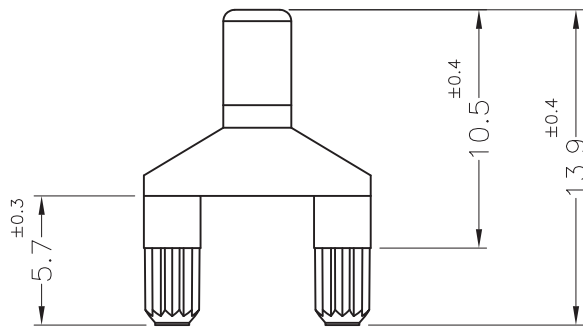
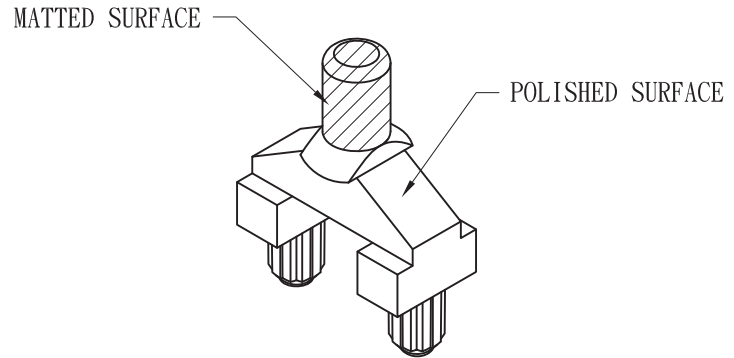



DIM.	TOL.
5mm DOWN	±0.2
5~20mm	±0.3
20~40mm	±0.4
40~60mm	±0.5
60~100mm	±0.8
100mm UP	±1.0

REVISIONS			
REV	DESCRIPTION	DATE	BY



MOUNTING HOLE
(RECOMMEND FOR REFERENCE ONLY)

		TITLE		LIGHT PIPE	
		MATERIAL	PC UL94V-0	DATE	31/07/2023
PART NUMBER		DRAWING NUMBER		COLOR	
18473NV00		23.07.31.18483.0.E		CLEAR	
SIZE	SCALE	UNIT	REV	UNLESS OTHERWISE SPECIFIED TOLERANCE	APPROVED
A4	2:1	mm	A	SEE ABOVE	
ADESIVO		DRAWN		CHECK	
		A.C.			