

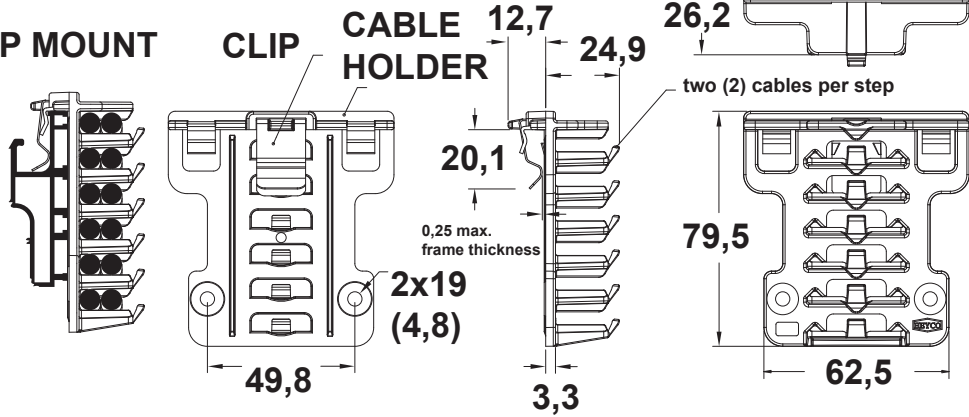
DIM.	TOL.
5mm DOWN	±0.2
5~20mm	±0.3
20~40mm	±0.4
40~60mm	±0.5
60~100mm	±0.8
100mm UP	±1.0



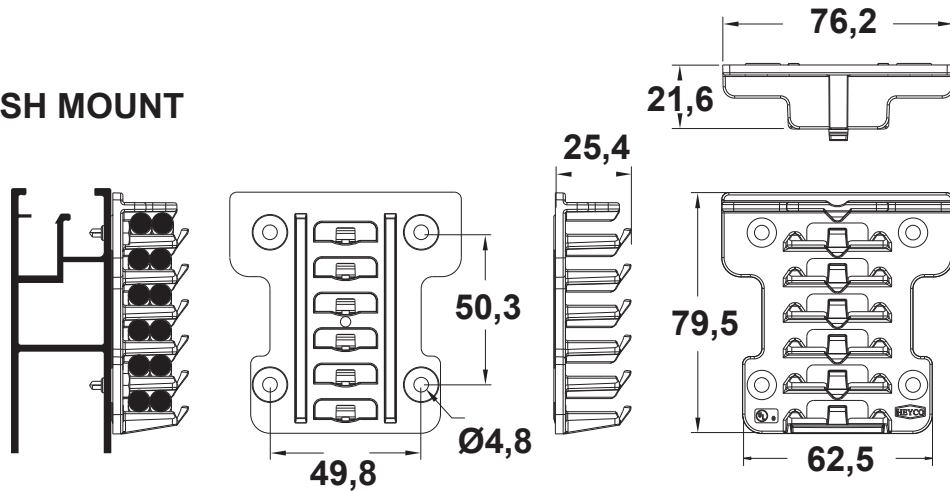
RESISTANT

REVISIONS			
REV	DESCRIPTION	DATE	BY

TYPE 1 CLIP MOUNT



TYPE 2 FLUSH MOUNT



MATERIAL: PPE/ PS Noryl (Clipmount includes a 301 stainless steel mounting clip)

P/N	DESCRIPTION	TYPE	PANEL THICKNESS CLAMPING RANGE		WIRE Ø RANGE MAX. (12) WIRES
			MIN.	MAX.	
18471PP01	CLIP MOUNT	1	1,5	6,4	5,2-7,2
18472PP01	FLUSH MOUNT	2	N/A		5,2-7,2

WORKING TEMPERATURE: -40°C....+95°C

		TITLE CABLE CLIP ARRAY	
		MATERIAL SEE ABOVE	DATE 26/07/2023
		V0(UL94)	DRAWN A.C.
PART NUMBER SEE ABOVE	DRAWING NUMBER 23/07/26.18471.Xv	COLOR BLACK	CHECK
SIZE A4	SCALE 2:1	UNIT mm.	REV A
UNLESS OTHERWISE SPECIFIED TOLERANCE SEE ABOVE		APPROVED	