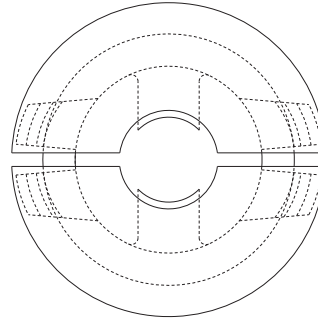
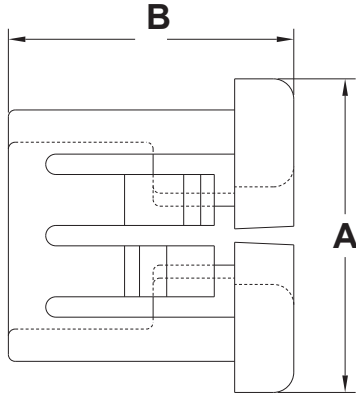


DIM.	TOL.
5mm DOWN	±0.2
5~20mm	±0.3
20~40mm	±0.4
40~60mm	±0.5
60~100mm	±0.8
100mm UP	±1.0

REVISIONS			
REV	DESCRIPTION	DATE	BY



P/N	MOUNTING HOLE	Ø CABLE	A	B
17650AA01	Ø 9,5	Ø 3,2	11,7	10,7
17651AA01	Ø11,1	Ø 4,8	11,9	10,7
17652AA01	Ø 12,7	Ø 6,4	14,2	10,7
17653AA01	Ø 15,9	Ø 9,5	18,5	11,2
17654AA01	Ø19,1	Ø12,7	23,0	11,2
17655AA01	Ø 22,2	Ø15,9	25,8	12,3

WORKING TEMPERATURE: -18°C....+105°C

PANEL THICKNESS UP TO 3,2

		TITLE SNUB BUSHING		
		MATERIAL PA 6.6 V2(UL94)	DATE 18/07/2023	
PART NUMBER SEE ABOVE		DRAWING NUMBER 23/07/18.1765.X.E	COLOR BLACK	CHECK
SIZE A4	SCALE NTS	UNIT mm.	REV A	UNLESS OTHERWISE SPECIFIED TOLERANCE SEE ABOVE
				APPROVED
				DRAWN A.C.