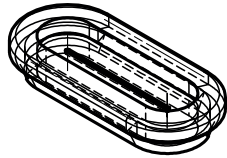
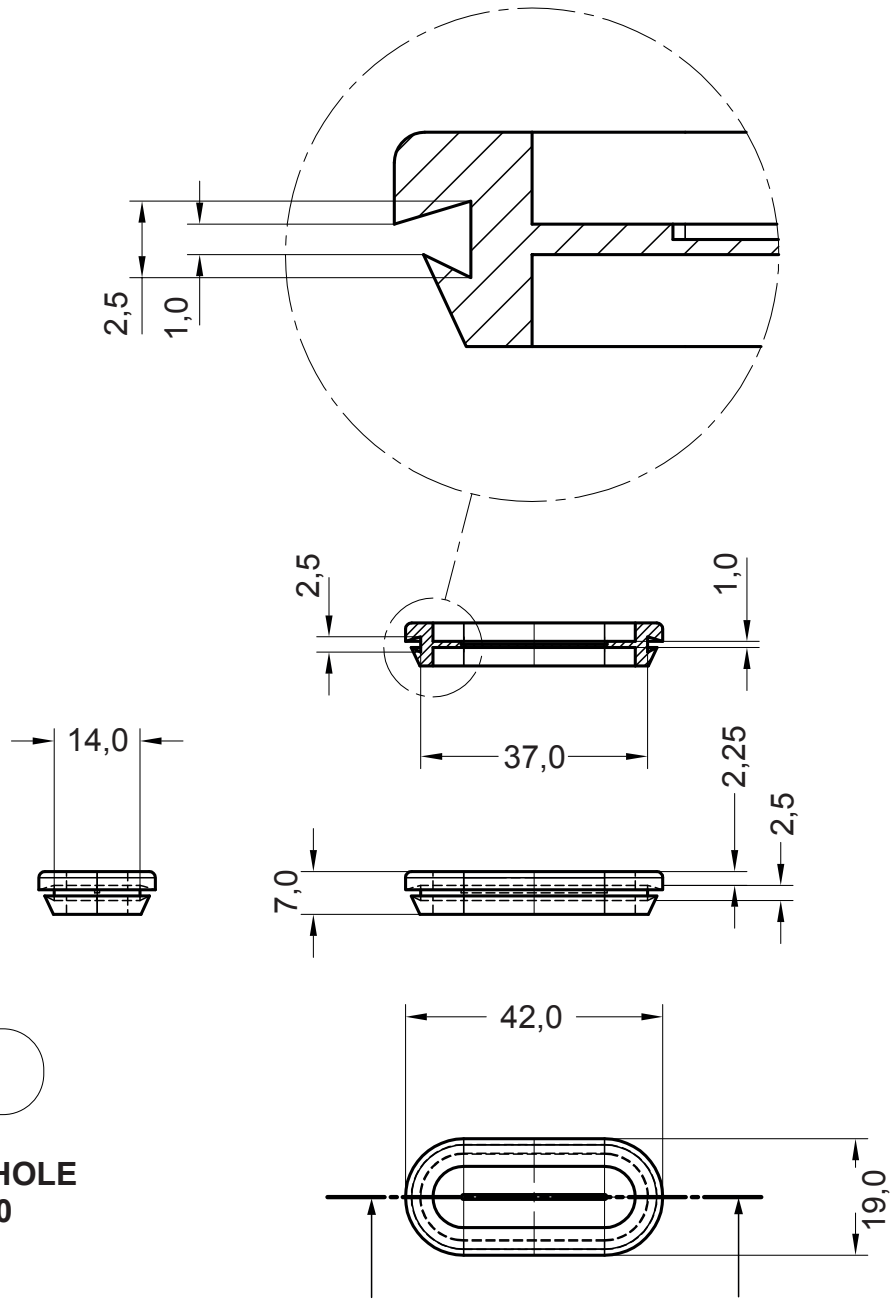


DIM.	TOL.
5mm DOWN	±0.2
5~20mm	±0.3
20~40mm	±0.4
40~60mm	±0.5
60~100mm	±0.8
100mm UP	±1.0



REVISIONS			
REV	DESCRIPTION	DATE	BY



**MOUNTING HOLE**  
37,0x14,0

**PANEL THICKNESS: 1,0.....2,5**  
**WORKING TEMPERATURE: -40°C....+105°C**



TITLE		CABLE GROMMET WITH MEMBRAN	
MATERIAL		EPDM SHORE 65A	DATE 16.11.21
COLOR		BLACK	DRAWN S.W.
UNLESS OTHERWISE SPECIFIED TOLERANCE		CHECK APPROVED	

PART NUMBER		DRAWING NUMBER	
15861GS01			
SIZE	SCALE	UNIT	REV
A4	NTS	mm.	A