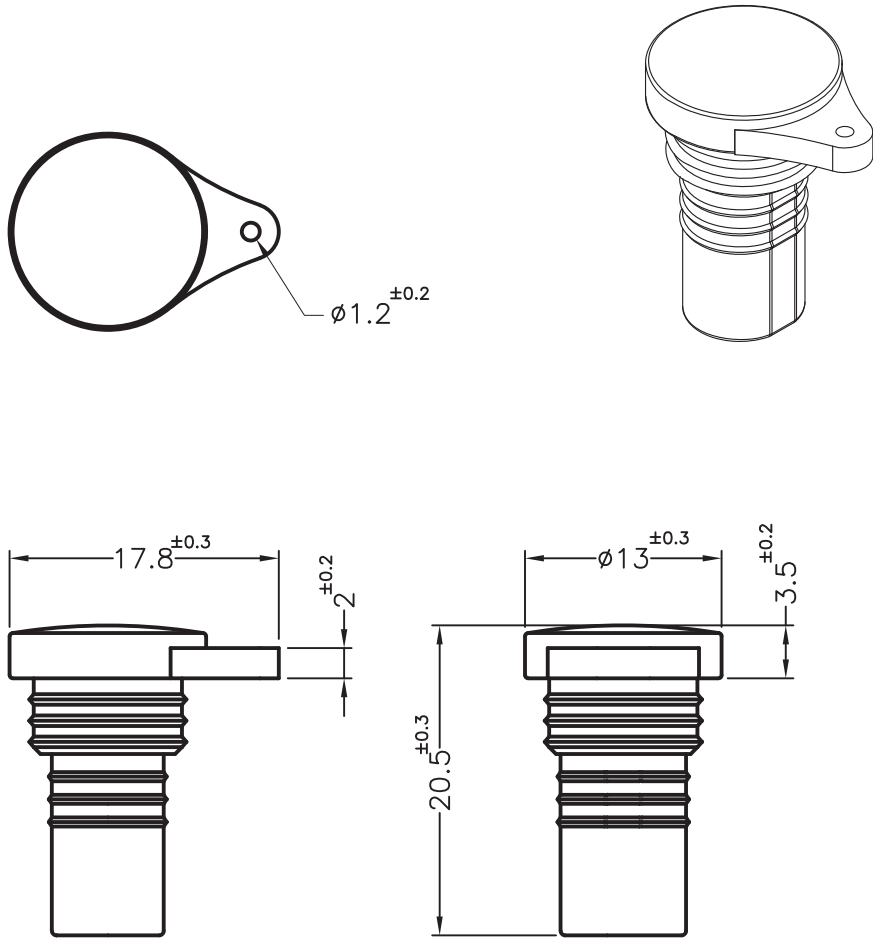



DIM.	TOL.
5mm DOWN	±0.2
5~20mm	±0.3
20~40mm	±0.4
40~60mm	±0.5
60~100mm	±0.8
100mm UP	±1.0

REVISIONS			
REV	DESCRIPTION	DATE	BY



HARDNESS: 65⁰±10⁰

		TITLE CONNECTOR COVER	
		MATERIAL TPE	DATE 27/06/2023
PART NUMBER 18409PS01		DRAWING NUMBER 23/06/27.1840.X.E	
DRAWN A.C.		CHECK	
SIZE A4	SCALE 2:1	UNIT mm.	REV A
UNLESS OTHERWISE SPECIFIED TOLERANCE SEE ABOVE		APPROVED	