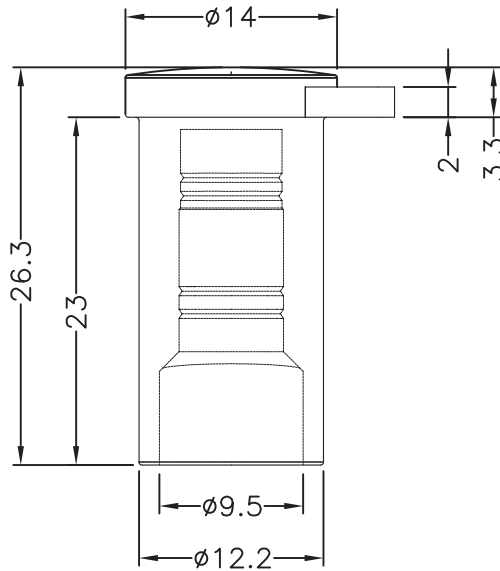
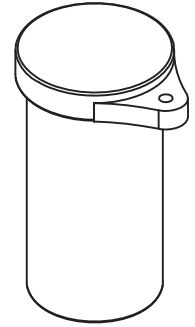
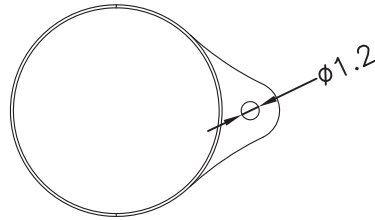



DIM.	TOL.
5mm DOWN	±0.2
5~20mm	±0.3
20~40mm	±0.4
40~60mm	±0.5
60~100mm	±0.8
100mm UP	±1.0

REVISIONS			
REV	DESCRIPTION	DATE	BY



HARDNESS: 75⁰±10°

		TITLE CONNECTOR COVER	
		MATERIAL TPE	DATE 27/06/2023
PART NUMBER 18408PS01		DRAWN A.C.	
DRAWING NUMBER 23/06/271840.X.E		CHECK	
SIZE A4	SCALE 2:1	COLOR BLACK	APPROVED
UNIT mm.	REV A	UNLESS OTHERWISE SPECIFIED TOLERANCE SEE ABOVE	