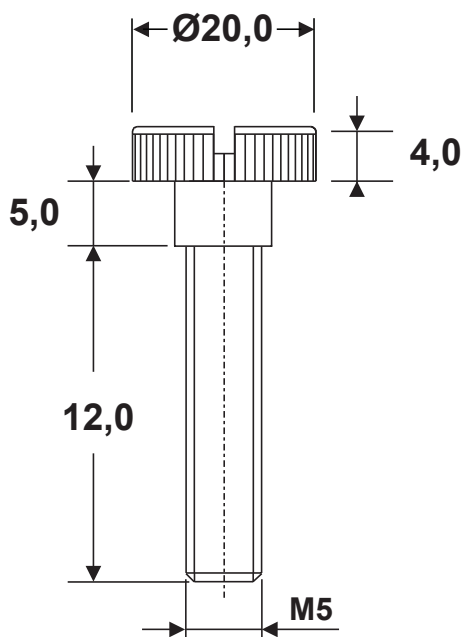


DIM.	TOL.
5mm DOWN	±0.2
5~20mm	±0.3
20~40mm	±0.4
40~60mm	±0.5
60~100mm	±0.8
100mm UP	±1.0

REVISIONS			
REV	DESCRIPTION	DATE	BY



TITLE
KNURLED THUMB SCREW DIN 464

MATERIAL PA6	DATE 13/06/2023
-----------------	--------------------

	DRAWN A.C.
--	---------------

PART NUMBER 18398AA0012,0	DRAWING NUMBER 23.06.13.18398.0.E
------------------------------	--------------------------------------

COLOR NATURAL	CHECK
------------------	-------

SIZE A4	SCALE NTS	UNIT mm.	REV A
------------	--------------	-------------	----------

UNLESS OTHERWISE SPECIFIED TOLERANCE SEE ABOVE	APPROVED
--	----------