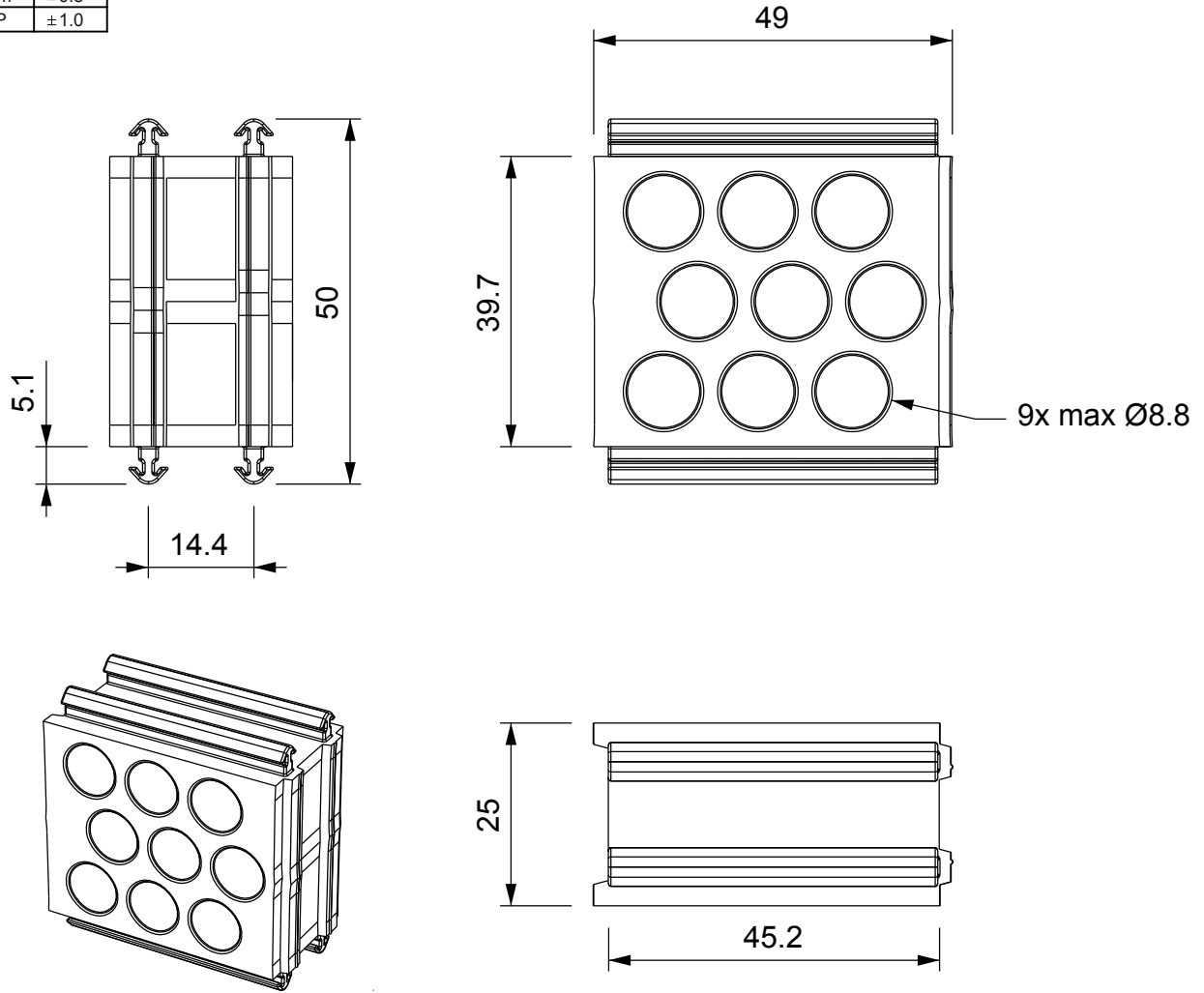


DIM.	TOL.	REVISIONS			
5mm DOWN	±0.2	REV	DESCRIPTION	DATE	BY
5~20mm	±0.3				
20~40mm	±0.4				
40~60mm	±0.5				
60~100mm	±0.8				
100mm UP	±1.0				



P/N	COLOR
18383PS11	BLACK
18383PS11	GREY

	<b>IP66</b>	<b>NEMA 12, 4X</b>	<b>UL TYPE 12, 4X</b>		

Flammability: UL94-V0, self-extinguishing  
 Temperature: -40°C ... +110°C  
 Properties: halogen-free, silicone-free

		TITLE <b>SPG GROMMETS</b>			
		MATERIAL TPE V0(UL94)		DATE 8/06/2023	
PART NUMBER SEE ABOVE		DRAWING NUMBER 23/06/08.18383.X.E		DRAWN A.C.	
SIZE A4		SCALE NTS		CHECK	
UNIT mm.		REV A		APPROVED	
COLOR SEE ABOVE		UNLESS OTHERWISE SPECIFIED TOLERANCE SEE ABOVE			