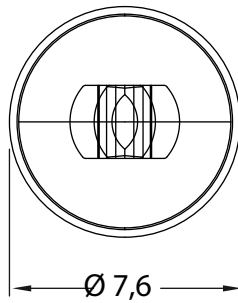
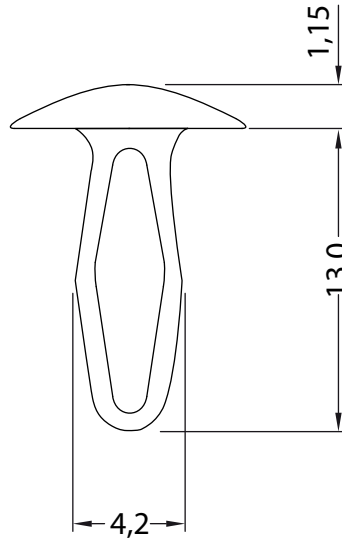



DIM.	TOL
5mm DOWN	±0.2
5~20mm	±0.3
20~40mm	±0.4
40~60mm	±0.5
60~100mm	±0.8
100mm UP	±1.0

REVISIONS			
REV	DESCRIPTION	DATE	BY



MOUNTING HOLE: Ø 3,45

PANEL THICKNESS: 1,45 - 4,0

				TITLE CLIP	
				MATERIAL PA 6	DATE 08/05/2023
PART NUMBER 18355AA00				FINISH	DRAWN A.C.
				DRAWING NUMBER 23.05.08.18355.0.E	
SIZE A4	SCALE NTS	UNIT mm.	REV C	UNLESS OTHERWISE SPECIFIED TOLERANCE SEE ABOVE	
				APPROVED	