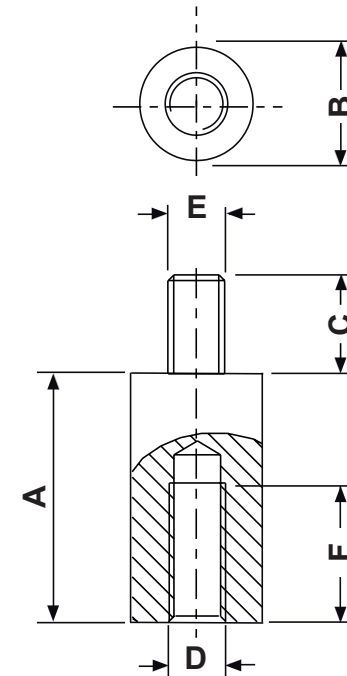


DIM.	TOL.
5mm DOWN	±0.2
5~20mm	±0.3
20~40mm	±0.4
40~60mm	±0.5
60~100mm	±0.8
100mm UP	±1.0

REVISIONS			
REV	DESCRIPTION	DATE	BY

P/N	*A	B	C	D	E	F
10033AA0105.0	5,0	∅ 7,0	8,0	M4	M4	3,0
10033AA0106.0	6,0	∅ 7,0	8,0	M4	M4	4,0
10033AA0107.0	7,0	∅ 7,0	8,0	M4	M4	5,0
10033AA0108.0	8,0	∅ 7,0	8,0	M4	M4	6,0
10033AA0109.0	9,0	∅ 7,0	8,0	M4	M4	7,0
10033AA0110.0	10,0	∅ 7,0	8,0	M4	M4	8,0
10033AA0111.0	11,0	∅ 7,0	8,0	M4	M4	9,0
10033AA0112.0	12,0	∅ 7,0	8,0	M4	M4	10,0
10033AA0113.0	13,0	∅ 7,0	8,0	M4	M4	10,0
10033AA0114.0	14,0	∅ 7,0	8,0	M4	M4	10,0
10033AA0115.0	15,0	∅ 7,0	8,0	M4	M4	10,0
10033AA0116.0	16,0	∅ 7,0	8,0	M4	M4	10,0
10033AA0117.0	17,0	∅ 7,0	8,0	M4	M4	10,0
10033AA0118.0	18,0	∅ 7,0	8,0	M4	M4	10,0
10033AA0119.0	19,0	∅ 7,0	8,0	M4	M4	10,0
10033AA0120.0	20,0	∅ 7,0	8,0	M4	M4	10,0
10033AA0121.0	21,0	∅ 7,0	8,0	M4	M4	10,0
10033AA0122.0	22,0	∅ 7,0	8,0	M4	M4	10,0
10033AA0123.0	23,0	∅ 7,0	8,0	M4	M4	10,0
10033AA0124.0	24,0	∅ 7,0	8,0	M4	M4	10,0
10033AA0125.0	25,0	∅ 7,0	8,0	M4	M4	10,0
10033AA0126.0	26,0	∅ 7,0	8,0	M4	M4	10,0
10033AA0127.0	27,0	∅ 7,0	8,0	M4	M4	10,0
10033AA0128.0	28,0	∅ 7,0	8,0	M4	M4	10,0
10033AA0129.0	29,0	∅ 7,0	8,0	M4	M4	10,0
10033AA0130.0	30,0	∅ 7,0	8,0	M4	M4	10,0
10033AA0131.0	31,0	∅ 7,0	8,0	M4	M4	10,0
10033AA0132.0	32,0	∅ 7,0	8,0	M4	M4	10,0
10033AA0133.0	33,0	∅ 7,0	8,0	M4	M4	10,0
10033AA0134.0	34,0	∅ 7,0	8,0	M4	M4	10,0
10033AA0135.0	35,0	∅ 7,0	8,0	M4	M4	10,0

P/N	*A	B	C	D	E	F
10033AA0136.0	36,0	∅ 7,0	8,0	M4	M4	10,0
10033AA0137.0	37,0	∅ 7,0	8,0	M4	M4	10,0
10033AA0138.0	38,0	∅ 7,0	8,0	M4	M4	10,0
10033AA0139.0	39,0	∅ 7,0	8,0	M4	M4	10,0
10033AA0140.0	40,0	∅ 7,0	8,0	M4	M4	10,0
10033AA0141.0	41,0	∅ 7,0	8,0	M4	M4	10,0
10033AA0142.0	42,0	∅ 7,0	8,0	M4	M4	10,0
10033AA0143.0	43,0	∅ 7,0	8,0	M4	M4	10,0
10033AA0144.0	44,0	∅ 7,0	8,0	M4	M4	10,0
10033AA0145.0	45,0	∅ 7,0	8,0	M4	M4	10,0
10033AA0146.0	46,0	∅ 7,0	8,0	M4	M4	10,0
10033AA0147.0	47,0	∅ 7,0	8,0	M4	M4	10,0
10033AA0148.0	48,0	∅ 7,0	8,0	M4	M4	10,0
10033AA0149.0	49,0	∅ 7,0	8,0	M4	M4	10,0
10033AA0150.0	50,0	∅ 7,0	8,0	M4	M4	10,0
10033AA0151.0	51,0	∅ 7,0	8,0	M4	M4	10,0
10033AA0152.0	52,0	∅ 7,0	8,0	M4	M4	10,0
10033AA0153.0	53,0	∅ 7,0	8,0	M4	M4	10,0
10033AA0154.0	54,0	∅ 7,0	8,0	M4	M4	10,0
10033AA0155.0	55,0	∅ 7,0	8,0	M4	M4	10,0
10033AA0156.0	56,0	∅ 7,0	8,0	M4	M4	10,0
10033AA0157.0	57,0	∅ 7,0	8,0	M4	M4	10,0
10033AA0158.0	58,0	∅ 7,0	8,0	M4	M4	10,0
10033AA0159.0	59,0	∅ 7,0	8,0	M4	M4	10,0
10033AA0160.0	60,0	∅ 7,0	8,0	M4	M4	10,0
10033AA0161.0	61,0	∅ 7,0	8,0	M4	M4	10,0



In case of variable dimensions, it's possible to request the product data sheet

REV.	DESCRIPTION	DATE	TITLE: ROUND METRIC THREADED SPACERS	DWG UNIT: MM
	MATERIAL: PA 66 HB (UL94)		Modelled in RHINO 4.0	
	COLOUR: BLACK		FILE: D:\21.11.29.10033.0.E	
			TOLLERANCES UNLESS NOTED	
			SEE ABOVE	
			SHEET: 1 OF 1	
			SCALE: NTS	
			DT:21.11.29.10033.0.E	
			Part Number: SEE TABLE	
			