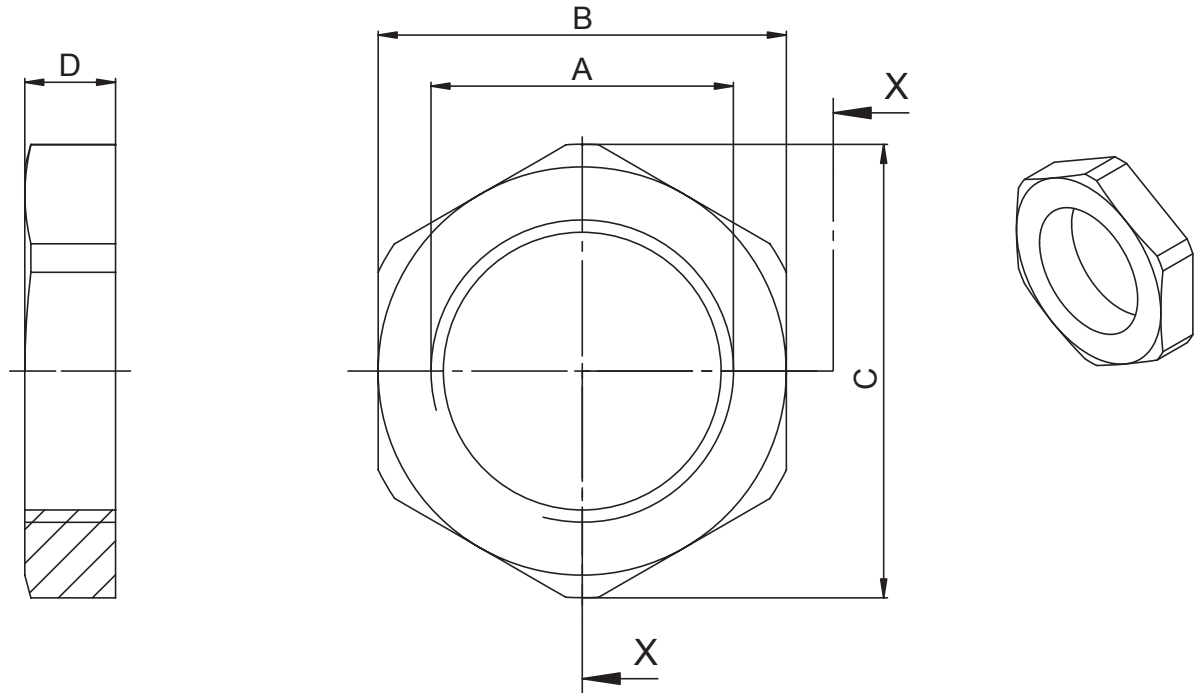


X-X



P/N RAL 7001	P/N RAL 7035	P/N RAL 9005	MATERIAL	A	B	C	D
8641BB117001	8616BB117035	8608BB119005	PA6 GF	M12X1,5	17,0	19,0	5,0
8642BB117001	8617BB117035	8609BB119005	PA6 GF	M16X1,5	22,0	25,0	5,0
8643BB117001	8618BB117035	8610BB119005	PA6 GF	M20X1,5	27,0	30,0	6,0
8644BB117001	8619BB117035	8611BB119005	PA6 GF	M25X1,5	32,0	36,0	6,0
8645BB117001	8620BB117035	8612BB119005	PA6 GF	M32X1,5	41,0	46,0	7,0
8646BB117001	8621BB117035	8613BB119005	PA6 GF	M40X1,5	50,0	54,0	7,0
8647AA117001	8622AA117035	8614AA119005	PA6	M50X1,5	65,0	67,0	8,0
11442AA117001	8623AA117035	8615AA119005	PA6	M63X1,5	75,0	83,0	8,0

Flammability: PA6: UL94-V2, PA6 GF UL94-HB
 Temperature: -20°C ... +100°C
 EN 60423 compliant



TITLE
METRIC THREAD LOCKNUTS

MATERIAL
SEE TABLE

DATE
01/03/2023

DRAWN
A.C.

PART NUMBER
SEE TABLE

DRAWING NUMBER
23.03.01.86XX.0.E

COLOUR FRAME
SEE TABLE

CHECK

SIZE
A4

SCALE
NTS

UNIT
mm.

REV
A

UNLESS OTHERWISE SPECIFIED
TOLERANCE

APPROVED