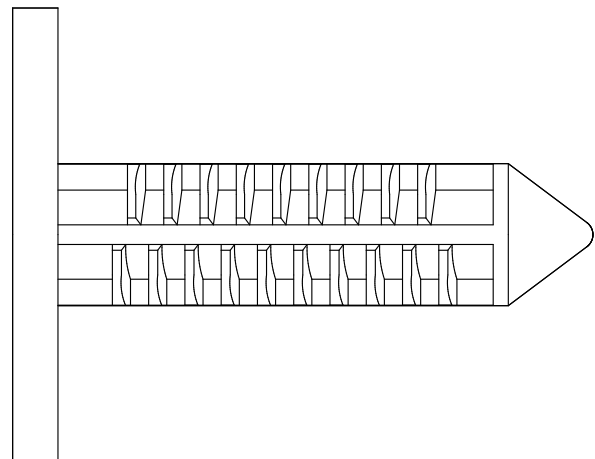
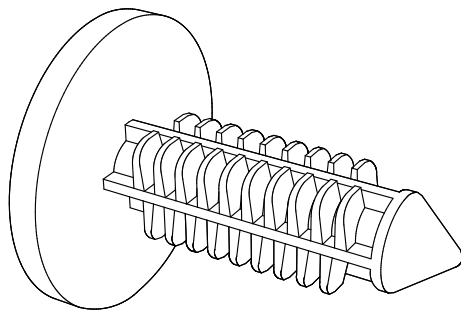
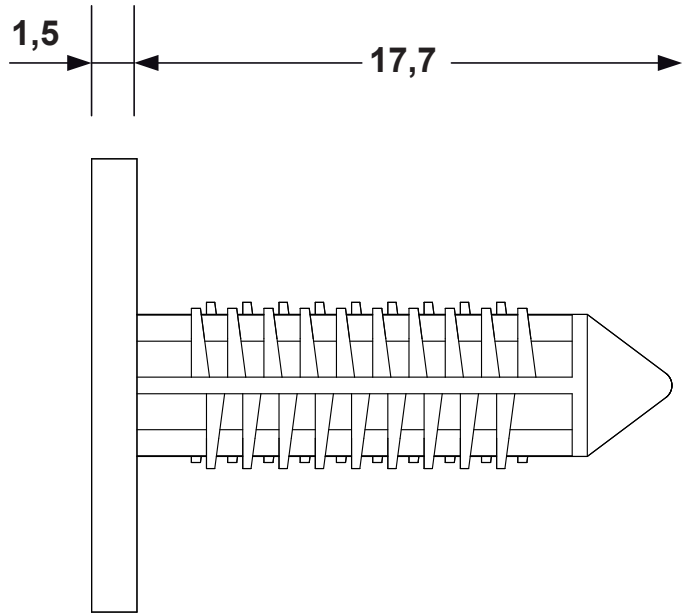
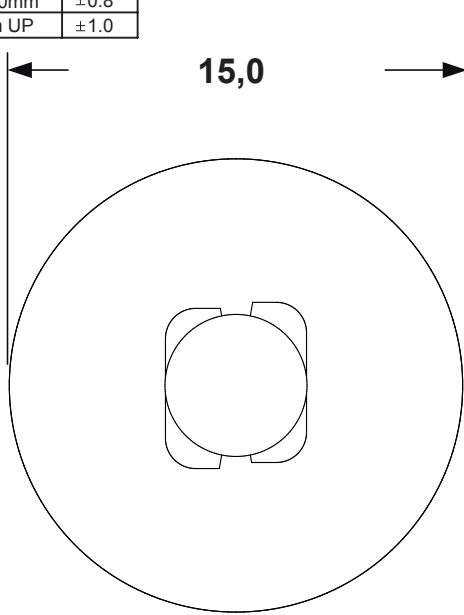


DIM.	TOL.
5mm DOWN	±0.2
5~20mm	±0.3
20~40mm	±0.4
40~60mm	±0.5
60~100mm	±0.8
100mm UP	±1.0

REVISIONS			
REV	DESCRIPTION	DATE	BY



**MOUNTING HOLE: Ø5,0**  
**THICKNESS: 2,0 - 12,0**



<b>TITLED</b> <b>TOOTHED CLIPS</b>		MATERIAL PA 6.6 V2(UL94)		DATE 14/07/2022	
		COLOR BLACK		DRAWN A.C.	
PART NUMBER 8214AA01		DRAWING NUMBER 22.07.14.821x.0.E		CHECK 	
SIZE A4	SCALE NTS	UNIT mm.	REV A	UNLESS OTHERWISE SPECIFIED TOLERANCE SEE ABOVE	
				APPROVED 	