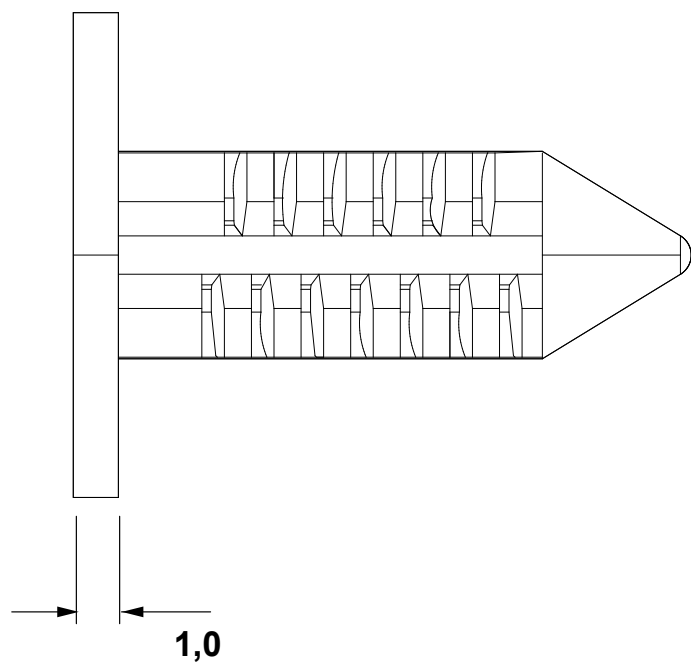
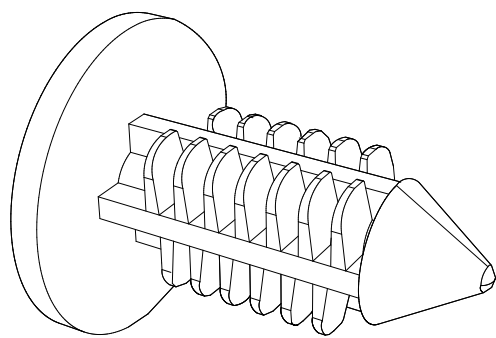
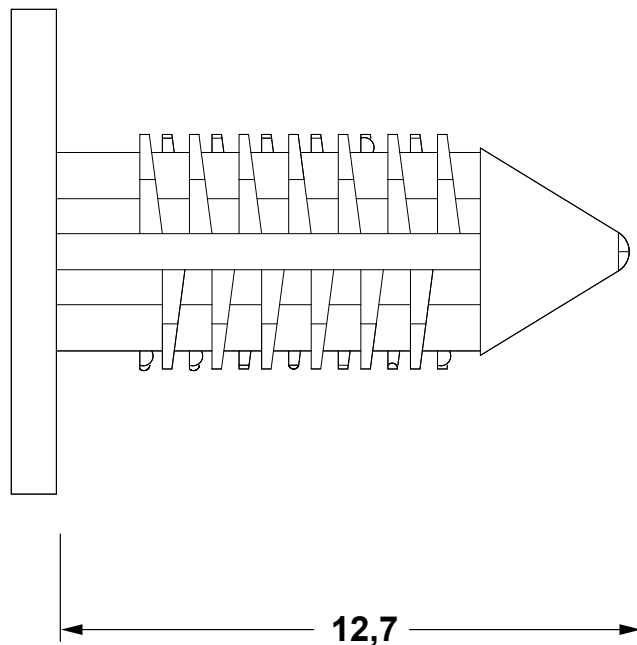
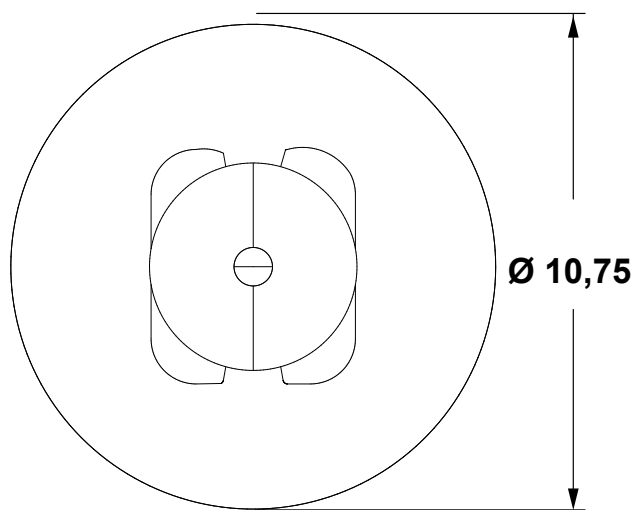



DIM.	TOL.
5mm DOWN	±0.2
5~20mm	±0.3
20~40mm	±0.4
40~60mm	±0.5
60~100mm	±0.8
100mm UP	±1.0

REVISIONS			
REV	DESCRIPTION	DATE	BY



MOUNTING HOLE: Ø 5,0
THICKNESS: 1,7 - 8,0

				TITLE TOOTHED CLIPS	
				MATERIAL PA6.6 V2(UL94)	DATE 20/10/2022
PART NUMBER 8213AA01				DRAWN A.C.	
				DRAWING NUMBER 22.10.20.8213.0.E	
SIZE A4				COLOR BLACK	
SCALE NTS				CHECK	
UNIT mm.				UNLESS OTHERWISE SPECIFIED TOLERANCE SEE ABOVE	
REV A				APPROVED	