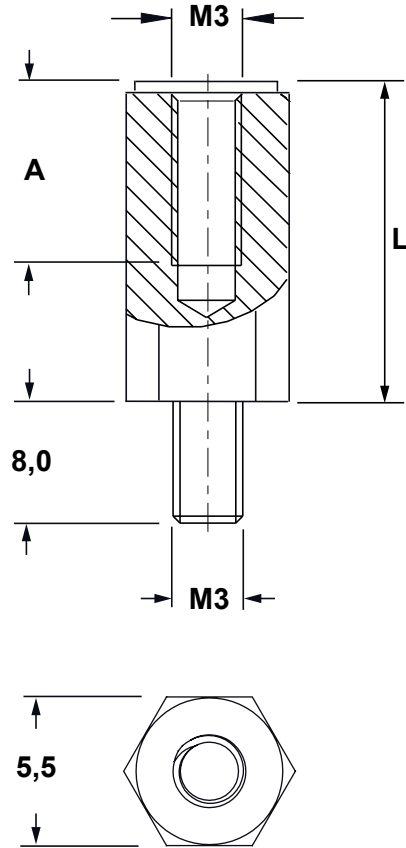


P/N	L	A
6921AA0105.0	5,0	3,0
6921AA0106.0	6,0	4,0
6921AA0107.0	7,0	5,0
6921AA0108.0	8,0	6,0
6921AA0109.0	9,0	7,0
6921AA0110.0	10,0	8,0
6921AA0111.0	11,0	9,0
6921AA0112.0	12,0	10,0
6921AA0113.0	13,0	10,0
6921AA0114.0	14,0	10,0
6921AA0115.0	15,0	10,0
6921AA0116.0	16,0	10,0
6921AA0117.0	17,0	10,0
6921AA0118.0	18,0	10,0
6921AA0119.0	19,0	10,0
6921AA0120.0	20,0	10,0
6921AA0121.0	21,0	10,0
6921AA0122.0	22,0	10,0
6921AA0123.0	23,0	10,0
6921AA0124.0	24,0	10,0
6921AA0125.0	25,0	10,0
6921AA0126.0	26,0	10,0
6921AA0127.0	27,0	10,0
6921AA0128.0	28,0	10,0
6921AA0129.0	29,0	10,0
6921AA0130.0	30,0	10,0
6921AA0131.0	31,0	10,0
6921AA0132.0	32,0	10,0
6921AA0133.0	33,0	10,0
6921AA0134.0	34,0	10,0
6921AA0135.0	35,0	10,0
6921AA0136.0	36,0	10,0
6921AA0137.0	37,0	10,0
6921AA0138.0	38,0	10,0
6921AA0139.0	39,0	10,0
6921AA0140.0	40,0	10,0
6921AA0141.0	41,0	10,0
6921AA0142.0	42,0	10,0
6921AA0143.0	43,0	10,0
6921AA0144.0	44,0	10,0
6921AA0145.0	45,0	10,0
6921AA0146.0	46,0	10,0
6921AA0147.0	47,0	10,0
6921AA0148.0	48,0	10,0
6921AA0149.0	49,0	10,0
6921AA0150.0	50,0	10,0
6921AA0151.0	51,0	10,0
6921AA0152.0	52,0	10,0
6921AA0153.0	53,0	10,0
6921AA0154.0	54,0	10,0
6921AA0155.0	55,0	10,0
6921AA0156.0	56,0	10,0
6921AA0157.0	57,0	10,0
6921AA0158.0	58,0	10,0
6921AA0159.0	59,0	10,0
6921AA0160.0	60,0	10,0
6921AA0161.0	61,0	10,0

REVISIONS			
REV	DESCRIPTION	DATE	BY



NOTES:

WORKING TEMPERATURE: -30°C150°C MAX. 170°C

				TITLE INSULATED FEMALE DISCONNECTORS			
				MATERIAL PA 66		DATE 08/07/2022	
PART NUMBER SEE TABLE				UL (94) HB		DRAWN A.C.	
				DRAWING NUMBER 22.07.08.16XXX.0.E			
SIZE A4		SCALE NTS		COLOR BLACK		CHECK	
UNIT mm.		REV A		UNLESS OTHERWISE SPECIFIED TOLERANCE SEE ABOVE		APPROVED	