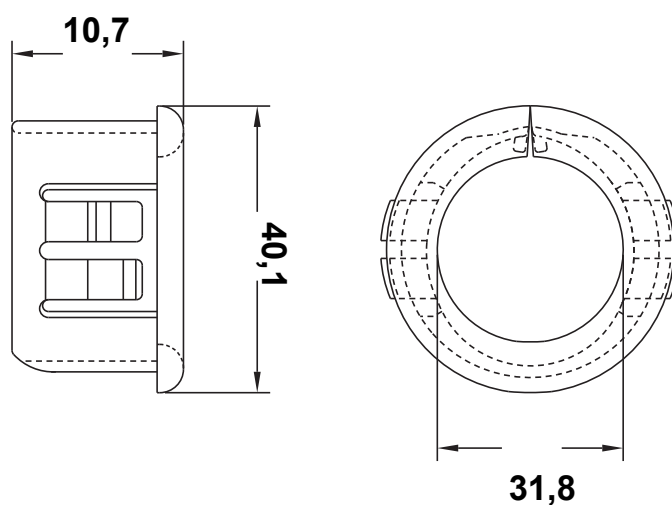



DIM.	TOL.
5mm DOWN	±0.2
5~20mm	±0.3
20~40mm	±0.4
40~60mm	±0.5
60~100mm	±0.8
100mm UP	±1.0

REVISIONS			
REV	DESCRIPTION	DATE	BY



THICKNESS 0,8 - 3,2
MOUNTING HOLE Ø 38,1

				TITLE RIGID SEMI-BLIND SNAP CABLE BUSHINGS	
				MATERIAL PA 66 V2(UL94)	
PART NUMBER 5901AA01				DRAWING NUMBER 22.09.22.5901.0.E	
DRAWING NUMBER 22.09.22.5901.0.E				DRAWN A.C.	
DRAWING NUMBER 22.09.22.5901.0.E				CHECK	
DRAWING NUMBER 22.09.22.5901.0.E				APPROVED	
SIZE A4		SCALE NTS		UNLESS OTHERWISE SPECIFIED TOLERANCE SEE ABOVE	
UNIT mm.		REV A		APPROVED	