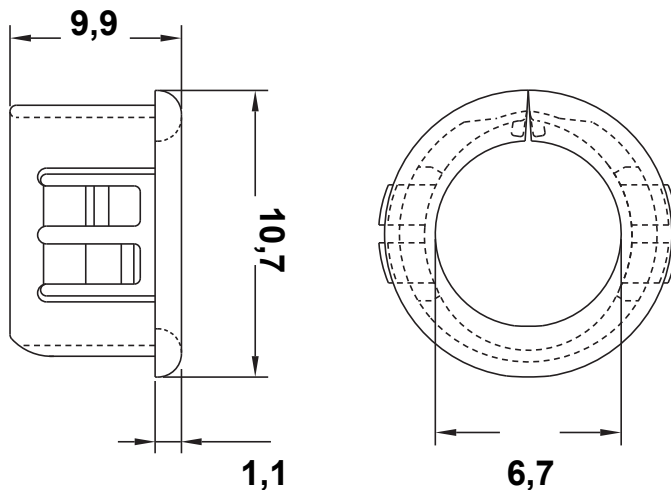



DIM.	TOL.
5mm DOWN	±0.2
5~20mm	±0.3
20~40mm	±0.4
40~60mm	±0.5
60~100mm	±0.8
100mm UP	±1.0

REVISIONS			
REV	DESCRIPTION	DATE	BY



THICKNESS 0,8 - 3,2
MOUNTING HOLE Ø9,5

				TITLE RIGID SEMI-BLIND SNAP CABLE BUSHINGS	
				MATERIAL PA 66 V2(UL94)	DATE 20/09/2022
5890AA01				DRAWN A.C.	
				CHECK	
PART NUMBER 5890AA01		DRAWING NUMBER 22.09.22.5890.0.E		COLOR BLACK	
SIZE A4	SCALE NTS	UNIT mm.	REV A	UNLESS OTHERWISE SPECIFIED TOLERANCE SEE ABOVE	
				APPROVED	