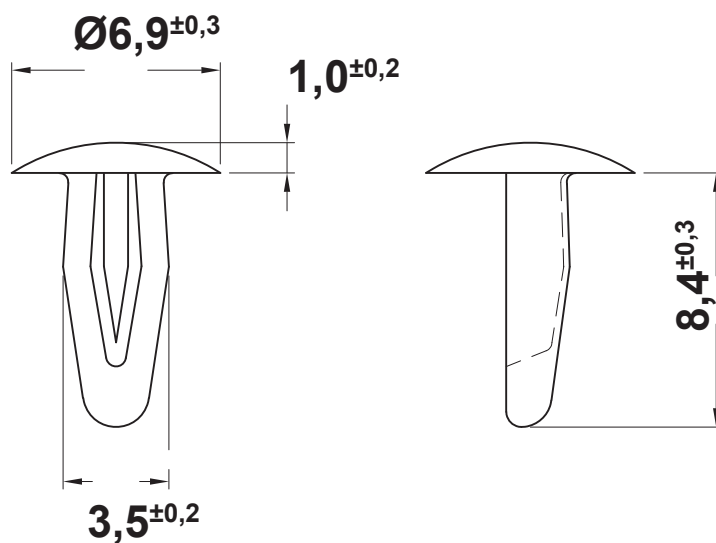


DIM.	TOL.
5mm DOWN	±0.2
5~20mm	±0.3
20~40mm	±0.4
40~60mm	±0.5
60~100mm	±0.8
100mm UP	±1.0

REVISIONS			
REV	DESCRIPTION	DATE	BY



**MOUNTING HOLE Ø3,1-3,2
THICKNESS 2,0 - 2,5**



TITLE
CLIPS

MATERIAL
PA 6.6 V2(UL94)

DATE
07/02/2019

DRAWN
R.F.

COLOR
NATURAL

CHECK

PART NUMBER
5659AA00

DRAWING NUMBER
19.02.07.5659.0.E

UNLESS OTHERWISE SPECIFIED
TOLERANCE
SEE ABOVE

APPROVED

SIZE
A4

SCALE
4:1

UNIT
mm.

REV
A