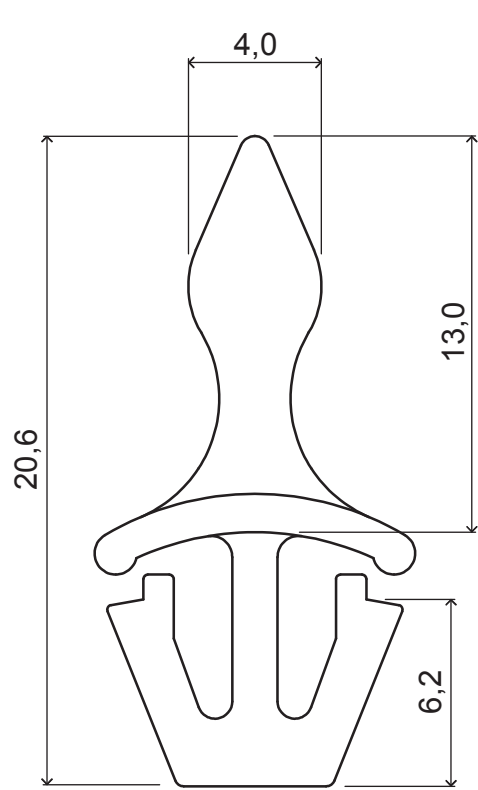
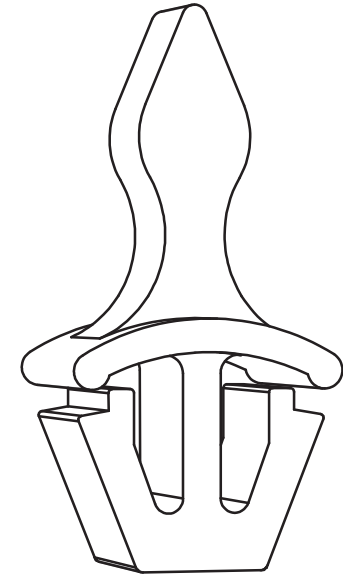
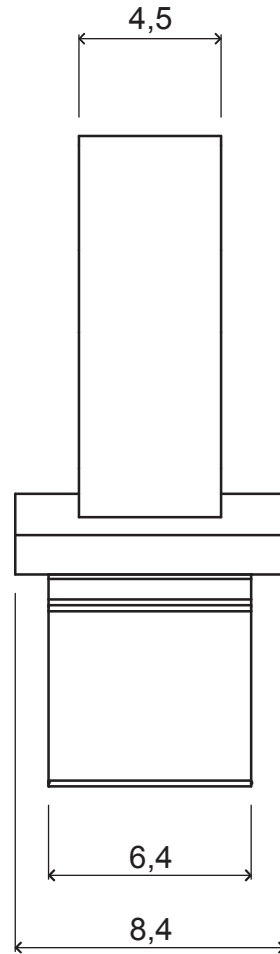


DIM.	TOL
5mm DOWN	±0.2
5~20mm	±0.3
20~40mm	±0.4
40~60mm	±0.5
60~100mm	±0.8
100mm UP	±1.0



PANEL SQUARE HOLE: 7X7
THICKNESS: 0,5 - 1,0



REV.	DESCRIPTION	DATE	TITLE: STRIKE	DWG UNIT: MM
	MATERIAL: PA66 V2 UL94		<i>Modelled in RHINO 4.0</i> FILE:	DwN: 13/11/13
	COLOUR: BLACK		TOLLERANCES UNLESS NOTED	ChkD:
			.XX= +/-010	DT: 13.11.11.5589.E.0
			.XXX= +/-005	Part Number: 5589AA01
			FRAC.= +/- 1/64	
			ANG.= +/-1°	
			SHEET: 1 OF 1	
			SCALE: NTS	
			